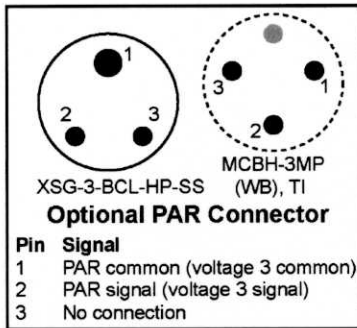
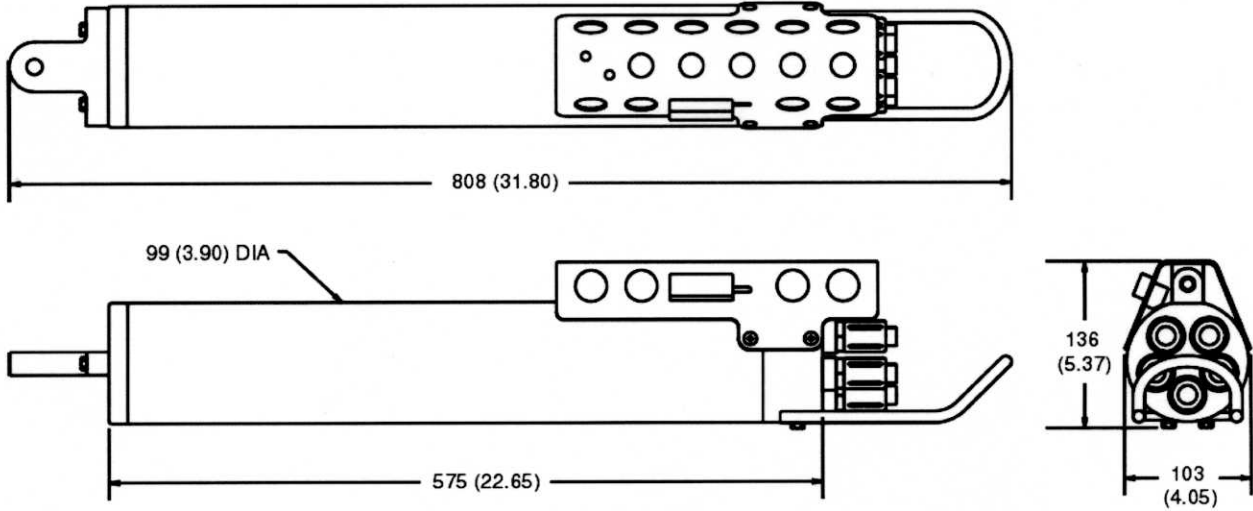


S/H (no telemetry)  
S/N 19P32799-4458

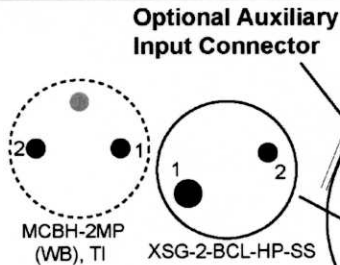
**Dimensions and End Cap Connectors**

*Lat Mix setup*  
*6/17/2010*

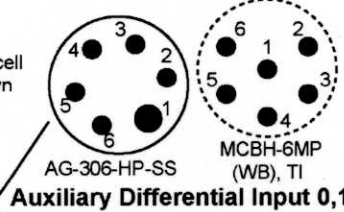
Dimensions in millimeters (inches)



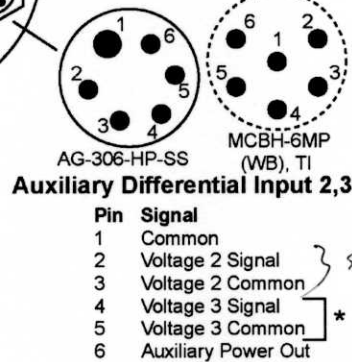
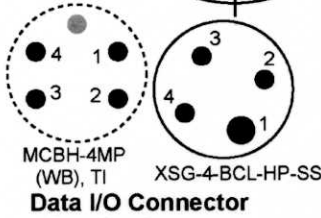
○ = standard connector  
○ (dashed) = optional MCBH connector (all with 3/8" length base, 1/2-20 thread)



Conductivity cell & guard shown for reference



*s/n 1060P*  
*WL WetStar Chlorophyll*  
*WL WetStar Rhodamine*  
*s/n ...*  
*WSRH-135*



*SBE-43 O2 s/n 430334*  
*\* V3 OFF*

\* Not connected if log amp installed for PAR sensor

*TESTED ALL VOLTAGES*  
*5/21/2010*