



**UH MARINE CENTER**  
 Scott Ferguson  
 1 Sand Island Access Road  
 US - 96819 Honolulu, HI  
 U.S.A.

<b>DELIVERY NOTE</b>	<b>151331</b>
Date	02/11/2015
Customer C./Nb	SOESTH / 13989
VAT	US-

Reference E-mail J. Scott Ferguson - 08.10.2015

Transport	Carrier bill	Packing	Gross weight	Net weight
UPS	1Z9484V70498365249	1	2.2 kg	1.9 kg

Item	Quantity	Intrastat
------	----------	-----------

**Order 20151214 from 08/10/2015**

5000-HOIS003265	Load pin 6000 lbs	1,00	84239000
Serial Nb : 2150853000			
Included options :			
J-4/20 3F		1,00	
H-DELAI U-RAPIDE		1,00	
P-SPECIALE		1,00	
TRANS--	Packing and forwarding costs	1,00	-

The exporter of the products covered by this document declares that where otherwise clearly indicated, these products are of E.U. preferential origin

ELECTRONIC INVOICE, NO NEED TO BE SIGNED

The certificates and data sheets are in the parcel, if applicable.

*Adr. Invoice*  
 UH MARINE CENTER  
 Scott Ferguson  
 1 Sand Island Access Road  
 US - 96819 Honolulu, HI  
 U.S.A.

**Delivery Date** 06/11/2015  
*Delivery cond.* Ex works  
*Expedition* Air

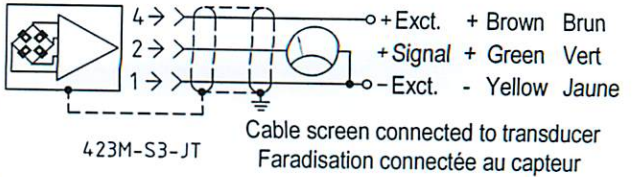
## CONTROL CERTIFICATE

<b>Serial Nr. :</b> 2150853000	<b>Model :</b> 5000 CHBN	HJP	<b>Capacity :</b> 6000 lbs
--------------------------------	--------------------------	-----	----------------------------

CLASS	SL		
Délai ultrarapide suivant négociation, Embedded amplifier 4-20mA, 3 wires, Special locking plate			
Tolerance of sensitivity	< ±	-	%
Temperature drift on span / 10° K	< ±	±0.2	%
Zero Temperature drift / 10° K	< ±	±0.1	%
Combined error	< ±	±1	% F.S.
Creep error	< ±	±0.3	% F.S. 30 min.
Safe load limit	> ±	200	% F.S.
Breaking load	> ±	500	% F.S.
Minimum verification interval (OIML)	< ±	N/A	
Minimum dead load	> ±	N/A	
Recommended excitation	24 V		
Maximum excitation range	10-30 VDC		
Insulation resistance			
Protection (IP) EN60529	IP65		

<b>TEMPERATURE RANGE :</b>	
Compensated	-10 to 45 °C
Operating	-20 to 70 °C

<b>Sensitivity</b>	16 mA
<b>Off-center</b>	
<b>Input impedance</b> (± 2 )	N/A Ohms
<b>Output resistance</b> (± 2 )	N/A Ohms
<b>Zero</b> (Exc. = 24 V)	4 (mA)



**INTERNAL CALIBRATION SHUNT :**  
(join \_\_\_\_\_ and \_\_\_\_\_ )  
Value : \_\_\_\_\_  
Reading : \_\_\_\_\_

**EXTERNAL CALIBRATION SHUNT :**  
(between Out.- and Exc.-)  
Value : \_\_\_\_\_  
Reading : \_\_\_\_\_

Cable screen connected to transducer housing

F.S. : Full Scale

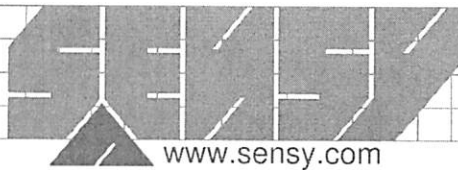
**Date** : 02/11/2015

**Chief inspector** : 

**REMARKS** :

Documentation : 5000-5300-5600 Manuel

(\*) g = 9.8107 m/s<sup>2</sup>, Jومت  
Tests have been performed with dead weights or standard force transducers directly related to National Standards (Belgian Metrological Organization).

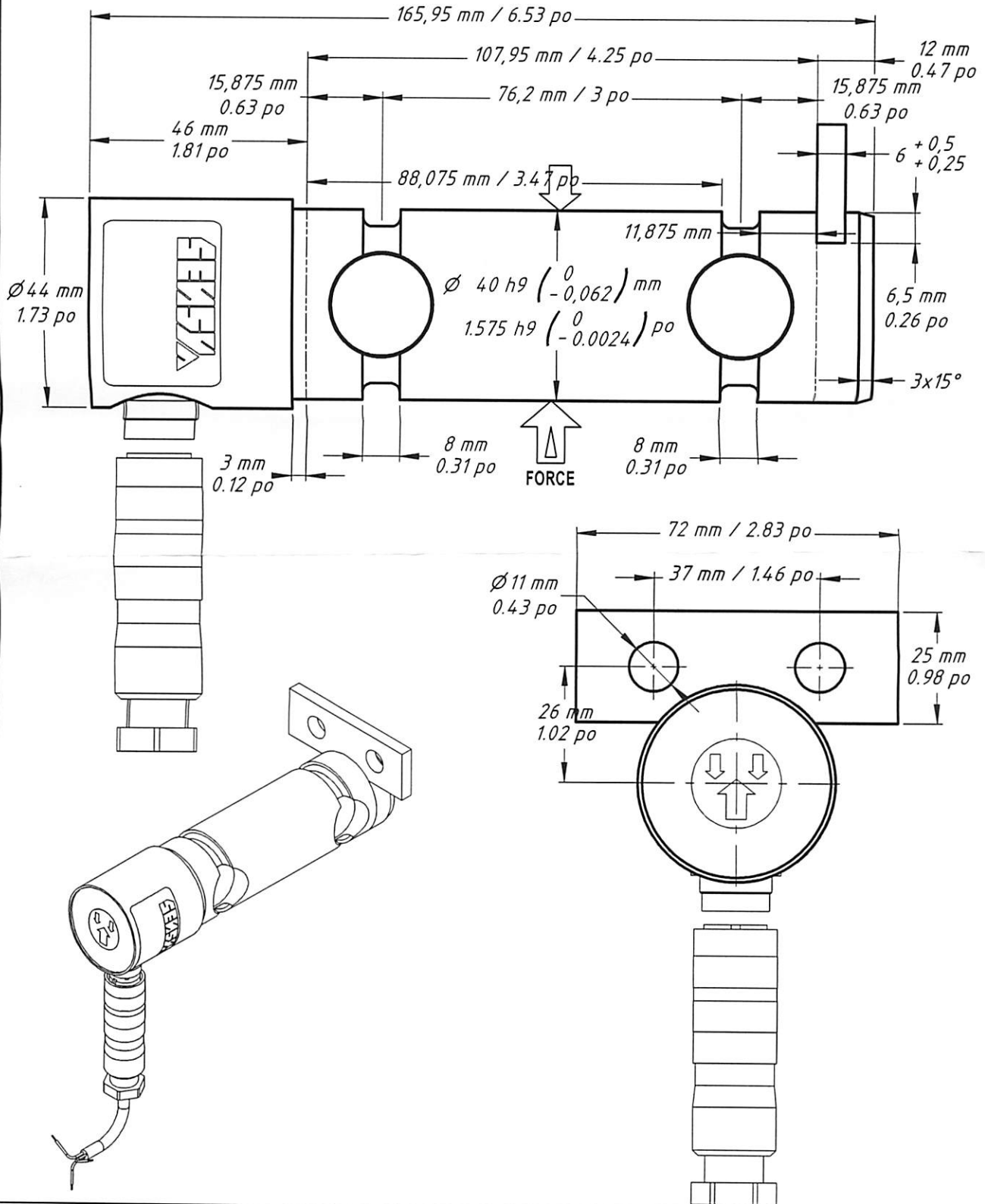


www.sensy.com

**CE** Control sheet  
Fiche de contrôle

**LOAD PIN**  
AXE DYNAMOMÉTRIQUE  
model- modèle **5000-HOIS003265**

1st BCI N°(SENSY): 20151214  
Customer- Client : SOESTH



Ingress protection rating - Indice de protection	IP65	Weight ( Axle ) Poids ( Axe )	1,32 kg	2,9 lb	( Plate ) (Plaquette)	0.08 kg
NOM.CAPACITY - CAPACITÉ NOM. :	6kLb	Cable - Câble	6m	Proof tested to / Testé en usine à	200%	of nominal load / de la charge nominale
		Material / Matière	16%Cr - 4%Ni			Breaking load / Charge à la rupture
						>500%

Other specifications see manual

Autres spécifications voir manuel