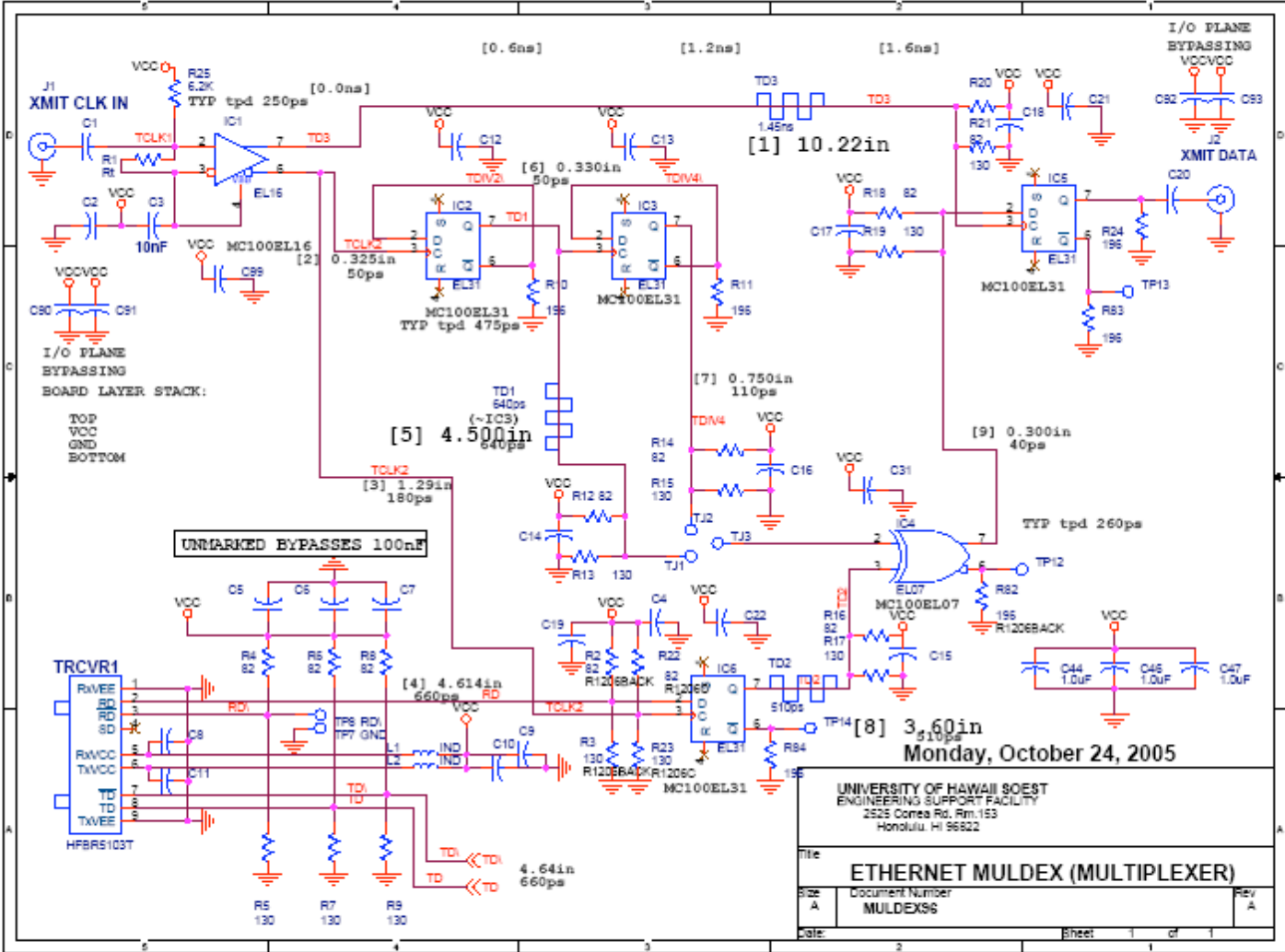
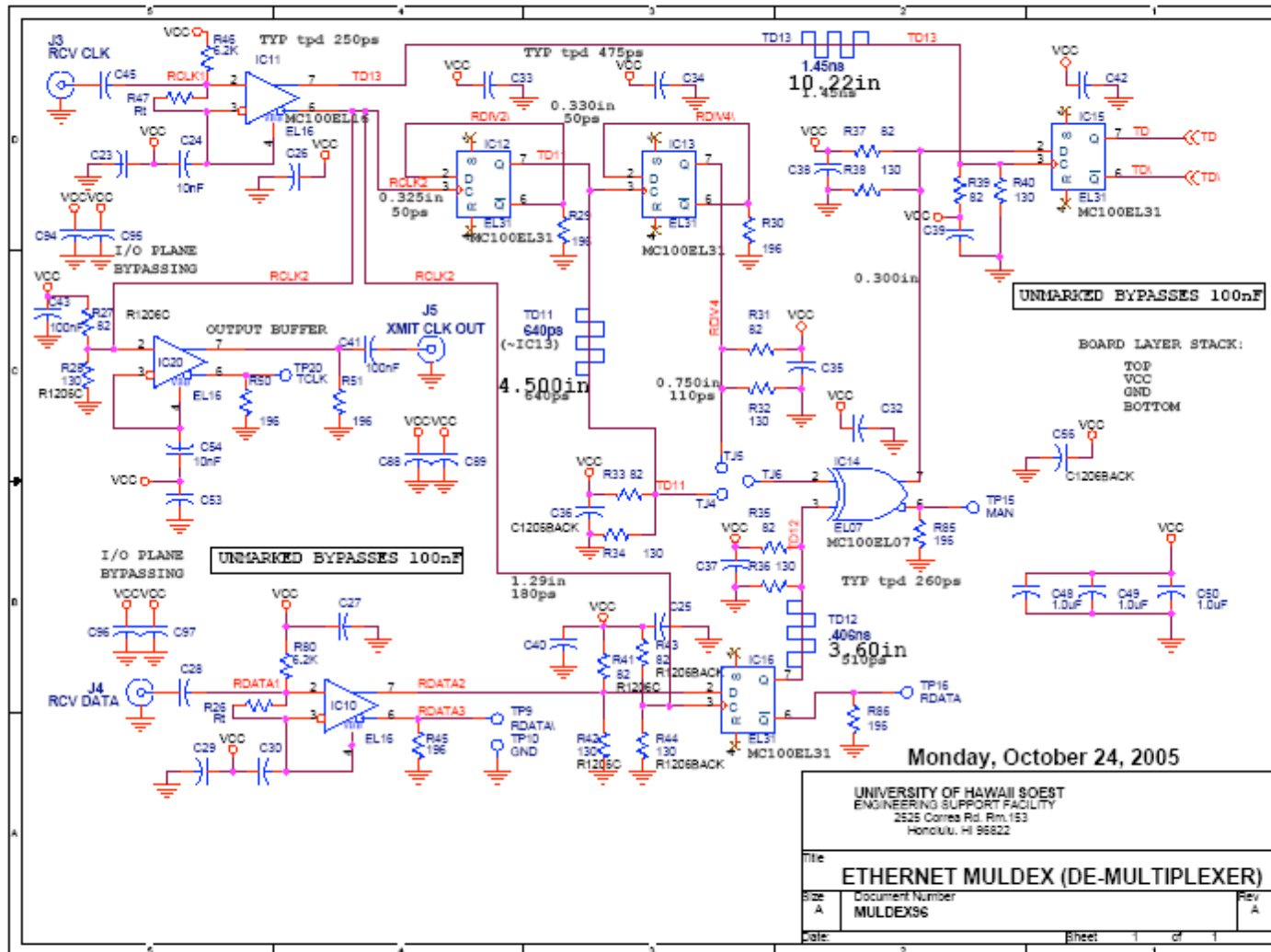


ATTACHMENT D: MULDEX



ATTACHMENT D: MULDEX



ATTACHMENT D: MULDEX

