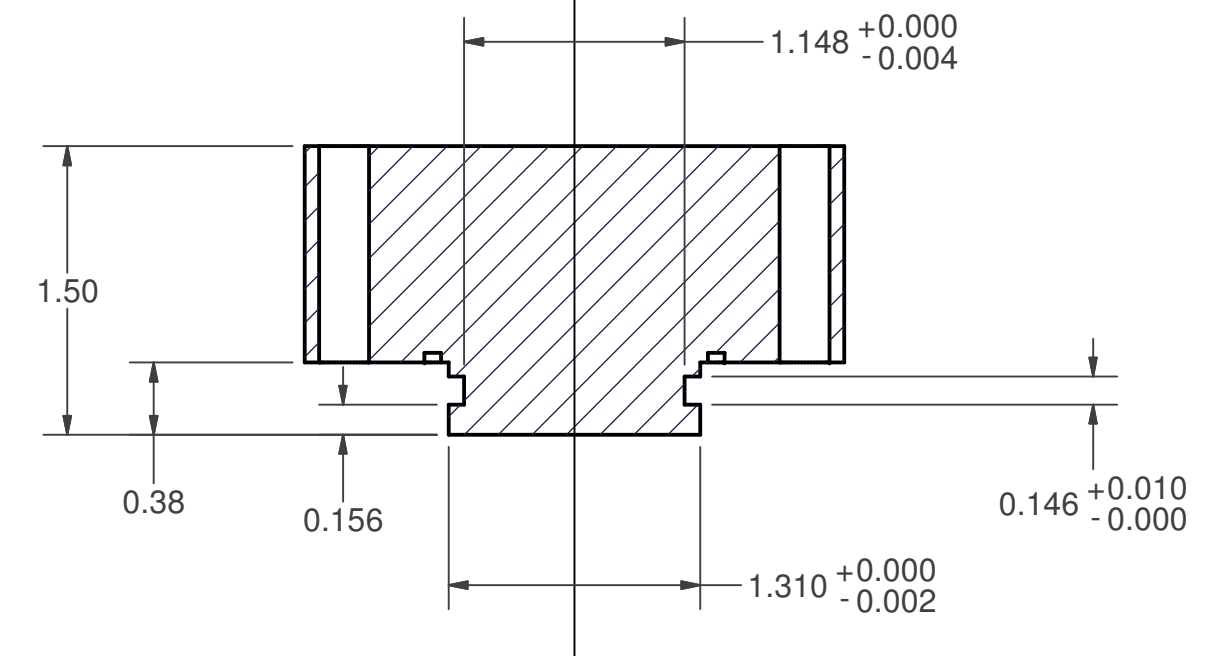
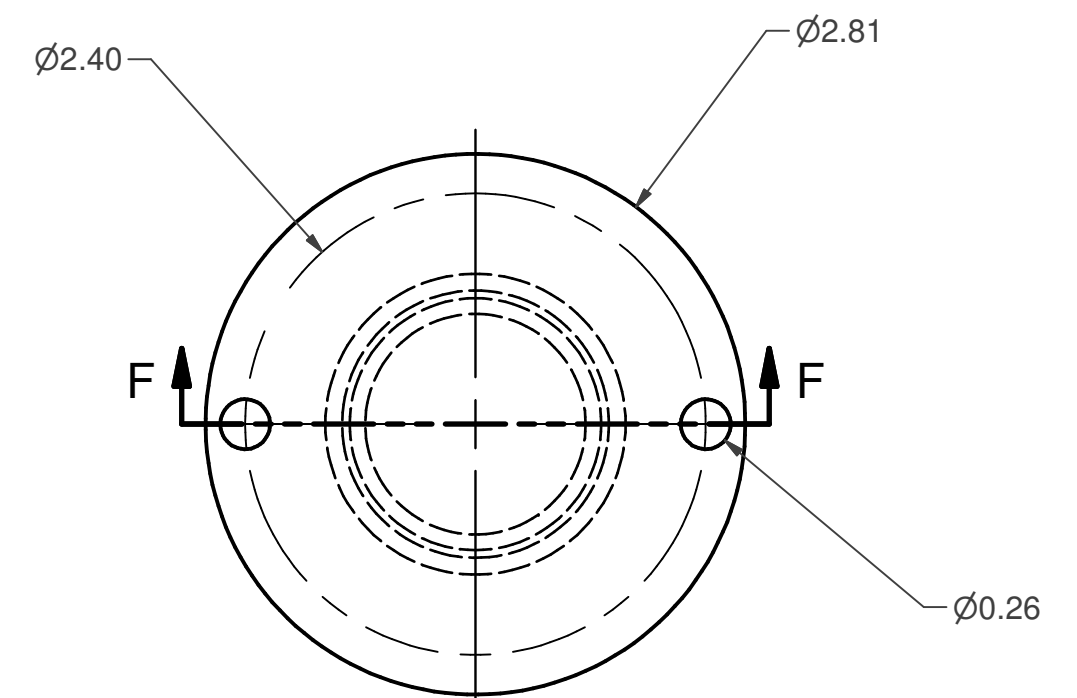


4 3 2 1



SECTION F-F
SCALE 1 : 1

NOTES:
1) MATERIAL IS 6061-T6 AL
2) ORING IS -122

TOLERANCES:
(UNLESS SPECIFIED OTHERWISE)
.X = ± .030
.XX = ± .010
.XXX = ± .005
A/B = ± .0625
X' = ± 1'

DRAWN Dave Copson	10/20/2005
CHECKED	
MFG	
APPROVED DC	

University of Hawaii-SOEST		
TITLE		
ALOHA PROOF MODULE ODI ENDCAP PLUG		
SIZE B	DWG NO odcapplug	REV 0
SCALE		SHEET 1 OF 1

B

B

A

A

4

3

2

1