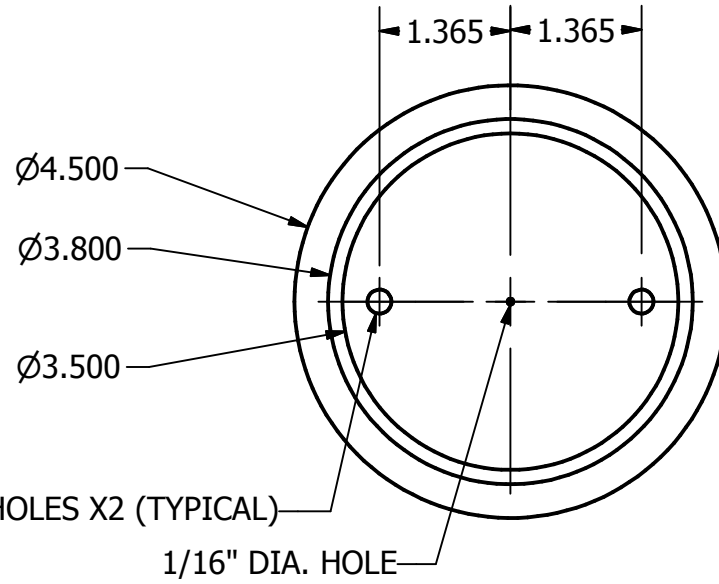
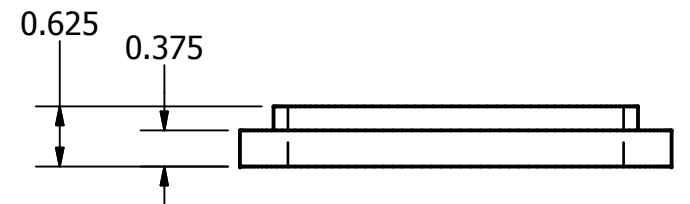
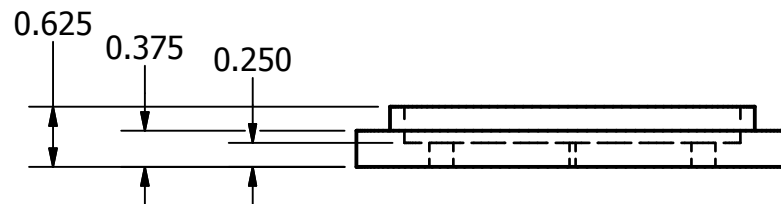
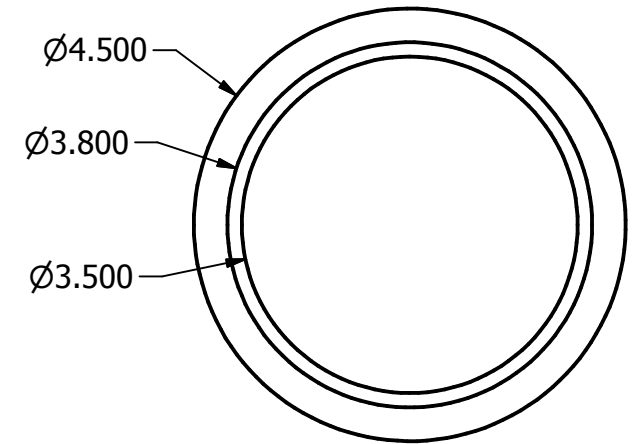


1/16" DIA. HOLE X4 (TYPICAL)



1/4" DIA. BOLT HOLES X2 (TYPICAL)

1/16" DIA. HOLE



MATERIAL: PVC

<p>TOLERANCES: (UNLESS SPECIFIED OTHERWISE)</p> <p>.X = $\pm .030$</p> <p>.XX = $\pm .010$</p> <p>.XXX = $\pm .005$</p> <p>A/B = $\pm .0625$</p> <p>X' = $\pm 1'$</p>	DRAWN Zensho	6/21/2006	University of Hawai'i - SOEST		
	CHECKED		TITLE		
	MFG		ALOHA PROOF - HYDROPHONE THERMAL CASE		
	APPROVED		SIZE	DWG NO HydroThermalCap	REV
			SCALE	SHEET 1	OF 1