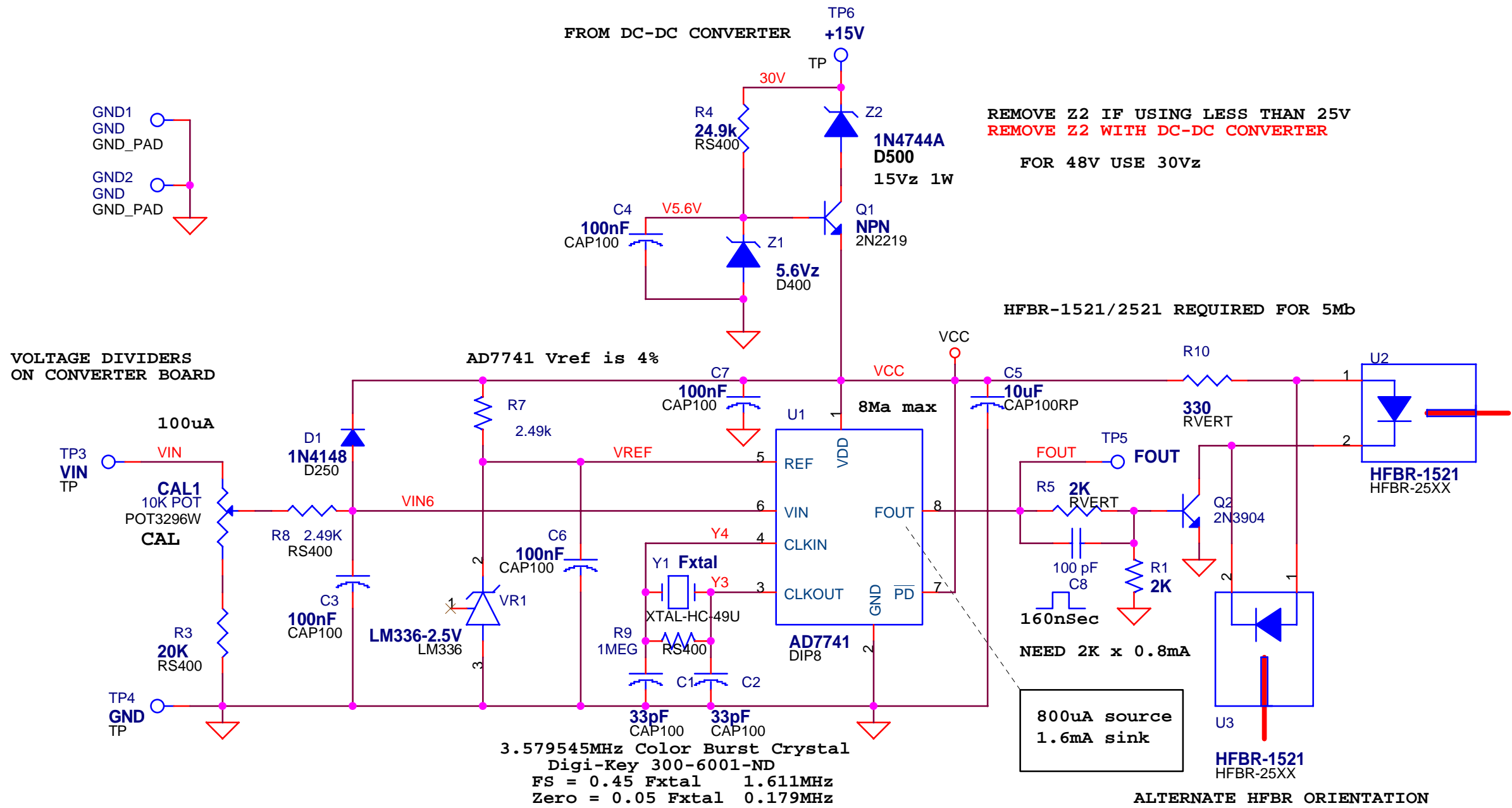


Description: Plastic fiber isolated Voltage/Frequency converter voltmeters

One used on each DC-DC Converter. Also used variously.

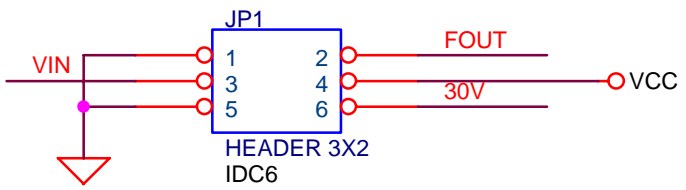


REMOVE Z2 IF USING LESS THAN 25V
REMOVE Z2 WITH DC-DC CONVERTER

FOR 48V USE 30Vz

HFBR-1521/2521 REQUIRED FOR 5Mb

800uA source
1.6mA sink



| DATE | COMMENT |
|---------|----------|
| 9/25/06 | PDF FILE |
| | |
| | |

UNIVERSITY OF HAWAII SOEST
Aloha Observatory
ENGINEERING SUPPORT FACILITY
 2525 Correa Rd. Rm.153
 Honolulu, HI 96822

Title: **Voltage to Frequency Converter**

Size A File Name: V2F6.dsn Engineer: D Harris Rev A

Date: Thursday, September 21, 2006 Sheet 1 of 1