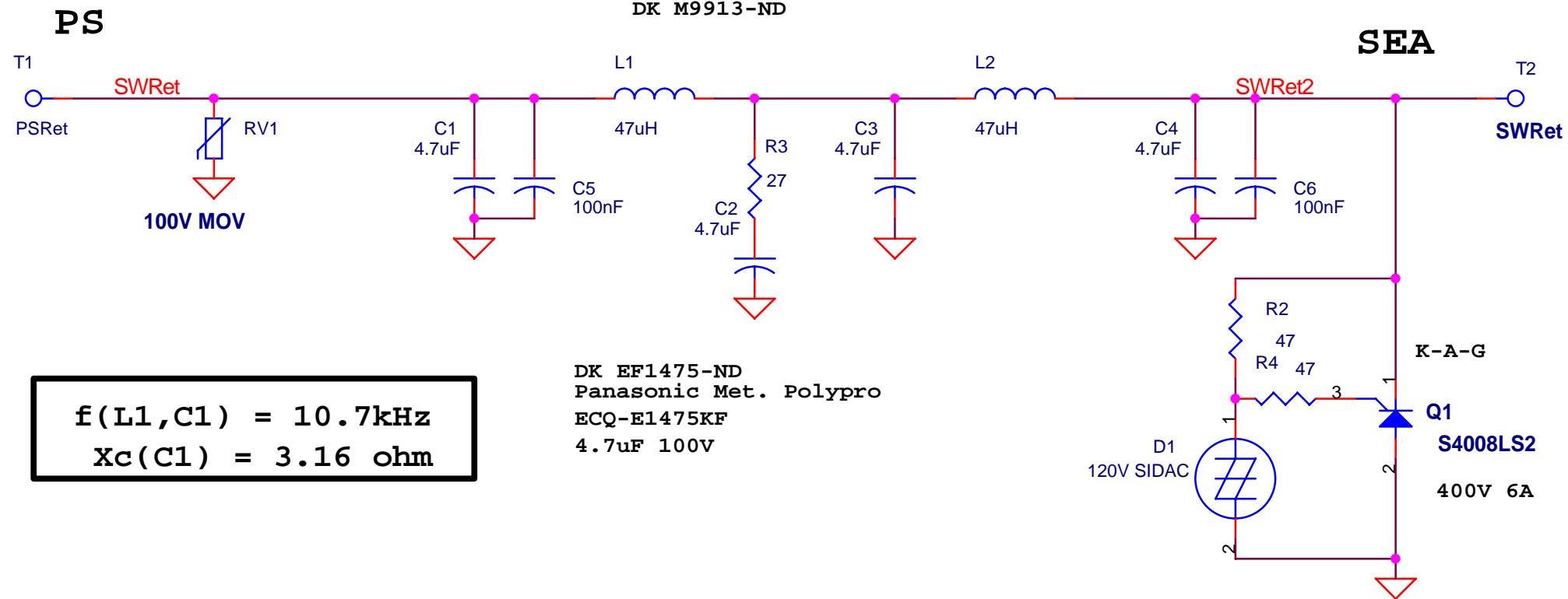


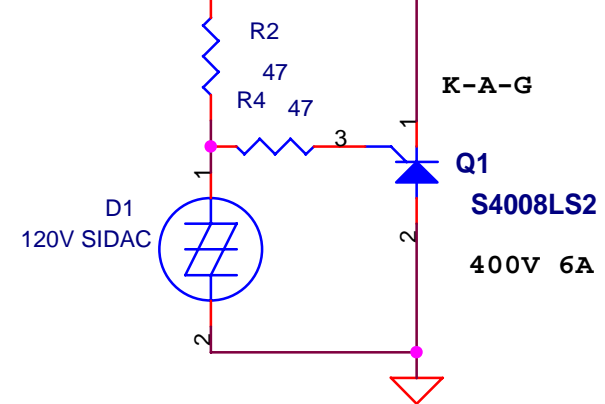
FOR SAFETY RV1 PROTECTS AGAINST
OPEN SEAWATER RETURN

47uH .016 Ohm 10.7 Amps Torroid
JW Miller 2309-v
DK M9913-ND



$f(L1, C1) = 10.7\text{kHz}$
 $Xc(C1) = 3.16\text{ ohm}$

DK EF1475-ND
Panasonic Met. Polypro
ECQ-E1475KF
4.7uF 100V



Description: SEAWATER RETURN FILTER TO AVOID INJECTING NOISE INTO WATER

2006

| DATE | COMMENT |
|---------|----------|
| 9/25/06 | PDF FILE |
| | |
| | |
| | |
| | |

UNIVERSITY OF HAWAII SOEST
Aloha Observatory
ENGINEERING SUPPORT FACILITY
2525 Correa Rd. Rm.153
Honolulu, HI 96822

Title: **ALOHA 1.7A SWR FILTER**

| | | | |
|------------------------------------|-------------------------|-----------|-------|
| Size A | File Name: SWR_Filt.DSN | Engineer: | Rev A |
| Date: Thursday, September 21, 2006 | Sheet 1 of 1 | 1 | 1 |