

# DUAL START-UP

~ 0.0 Volts

Sea Water Return Voltage  
Measurement Point  
to JP1-1 on Patch1 board

~ -1.9 Volts

Voltage for Current  
Sense  
to JP1-2 on Patch1 board

6.8V 1.7A

MOUNT FREE AIR  
NOT TOUCHING C1,C2

~ -8.5 Volts

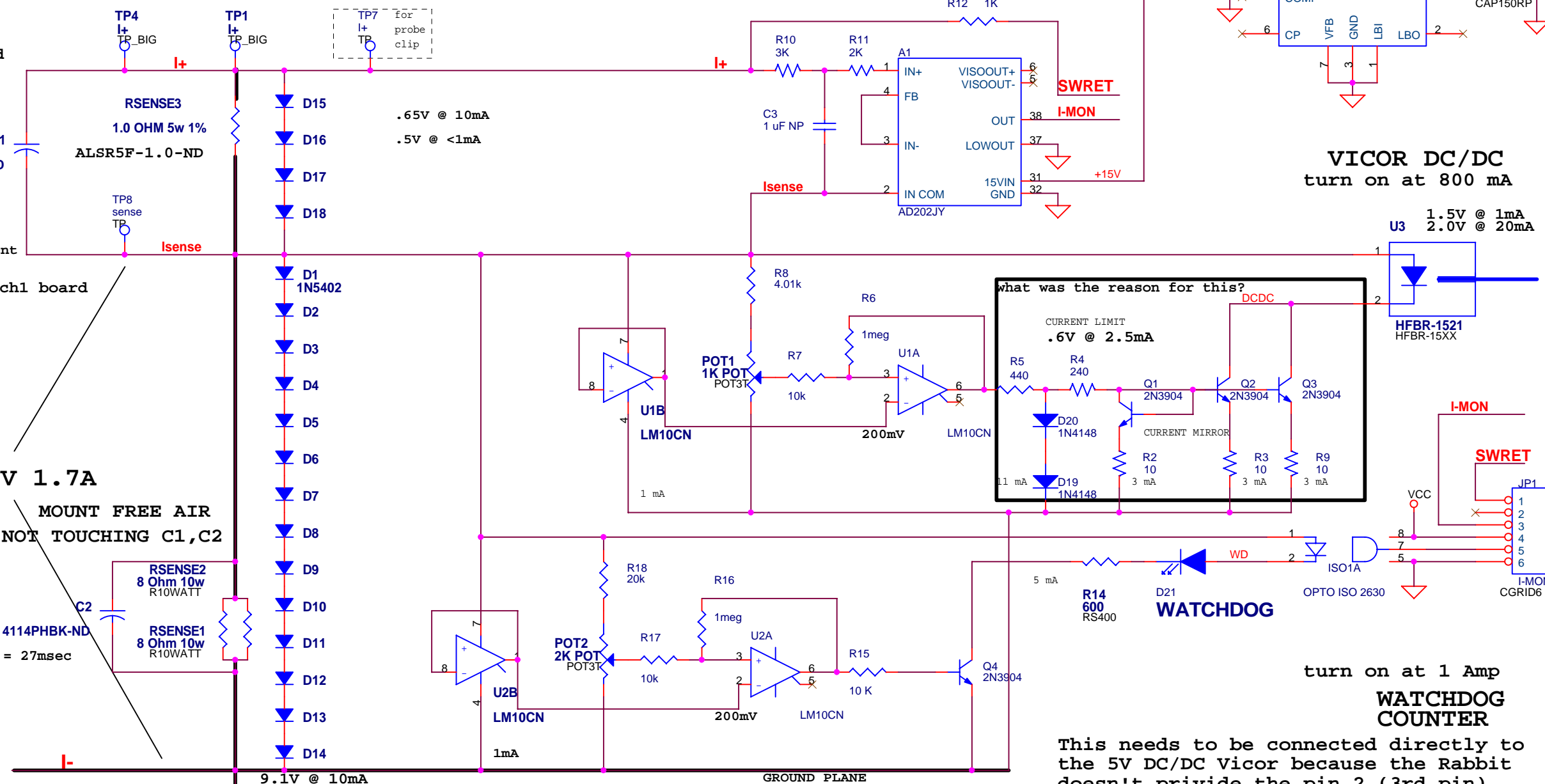
9.1V @ 10mA

Vsense should always be  
about +1.6V for 1.6 A (Aloha)

Range is 140 uH to 516 uH

220uH DN41224

130 mA



VICOR DC/DC  
turn on at 800 mA

what was the reason for this?  
CURRENT LIMIT  
.6V @ 2.5mA

turn on at 1 Amp  
WATCHDOG  
COUNTER

This needs to be connected directly to  
the 5V DC/DC Vicor because the Rabbit  
doesn't provide the pin 2 (3rd pin)

This needs to be connected directly to  
the -5V on the rabbit controller board  
because the Rabbit doesn't provide the  
pin 1 (opamp pin 4)

The inputs will overload with -13V using a +5/-5 V supply

There is no ground on the high voltage  
GND and VCC are on the OpAmp and Opto from the Rabbit Controller

| Description: DUAL START-UP (Vicor DC/DC & A/B Bus) |          | UNIVERSITY OF HAWAII SOEST<br>Aloha Observatory<br>ENGINEERING SUPPORT FACILITY<br>2525 Correa Rd. Rm.153<br>Honolulu, HI 96822 |                                       |
|----------------------------------------------------|----------|---------------------------------------------------------------------------------------------------------------------------------|---------------------------------------|
| DATE                                               | COMMENT  | Title                                                                                                                           | DUAL START-UP (Vicor DC/DC & A/B Bus) |
| 9/19/2006                                          | PDF FILE | Size                                                                                                                            | File Name: DualStart8.dsn             |
|                                                    |          | Engineer:                                                                                                                       | D Harris                              |
|                                                    |          | Date:                                                                                                                           | Tuesday, September 19, 2006           |
|                                                    |          | Sheet                                                                                                                           | 1 of 1                                |