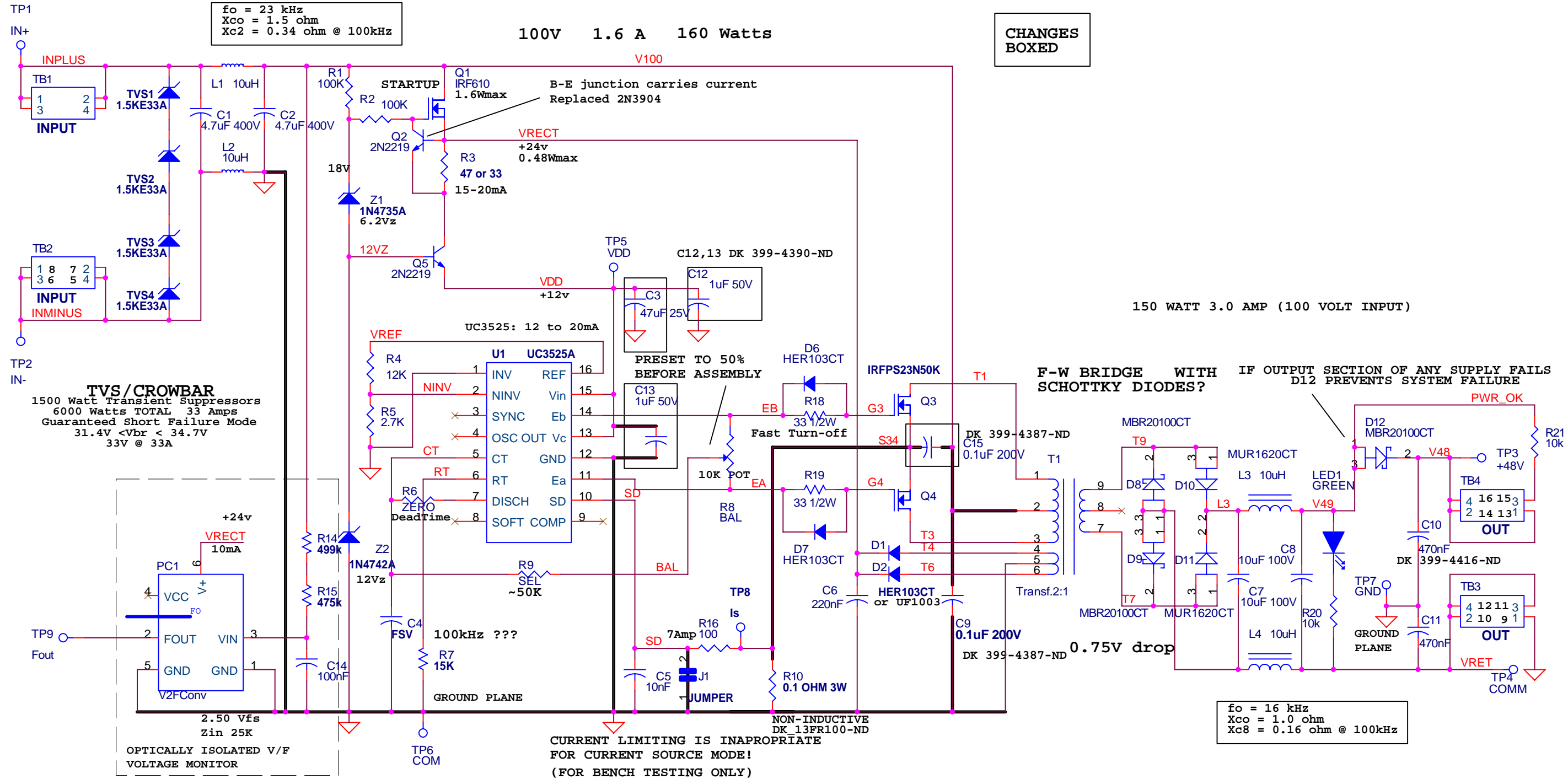


100 VOLTS 1.6 AMPS

$f_o = 23 \text{ kHz}$   
 $X_{co} = 1.5 \text{ ohm}$   
 $X_{c2} = 0.34 \text{ ohm @ } 100\text{kHz}$

100V 1.6 A 160 Watts

CHANGES BOXED



DATE	COMMENT
09/18/2006	PROPOSED 2nd PROTOTYPE
	ELIMINATED FULL/HALF POWER
9/25/2006	PDF FILE

**UNIVERSITY OF HAWAII**  
**Aloha Observatory**  
 Engineering Support Facility  
 2525 Correa Road  
 Honolulu, HI 96822

Title: **DC-DC CONVERTER (100V PROPORTIONAL)**

Size: File Name: Conv100V.dsn Engineer: Rev: A  
 Date: Wednesday, September 20, 2006 Sheet 1 of 1

Description: 1.6 Amp, 100 Volt, 150 Watt output Converter