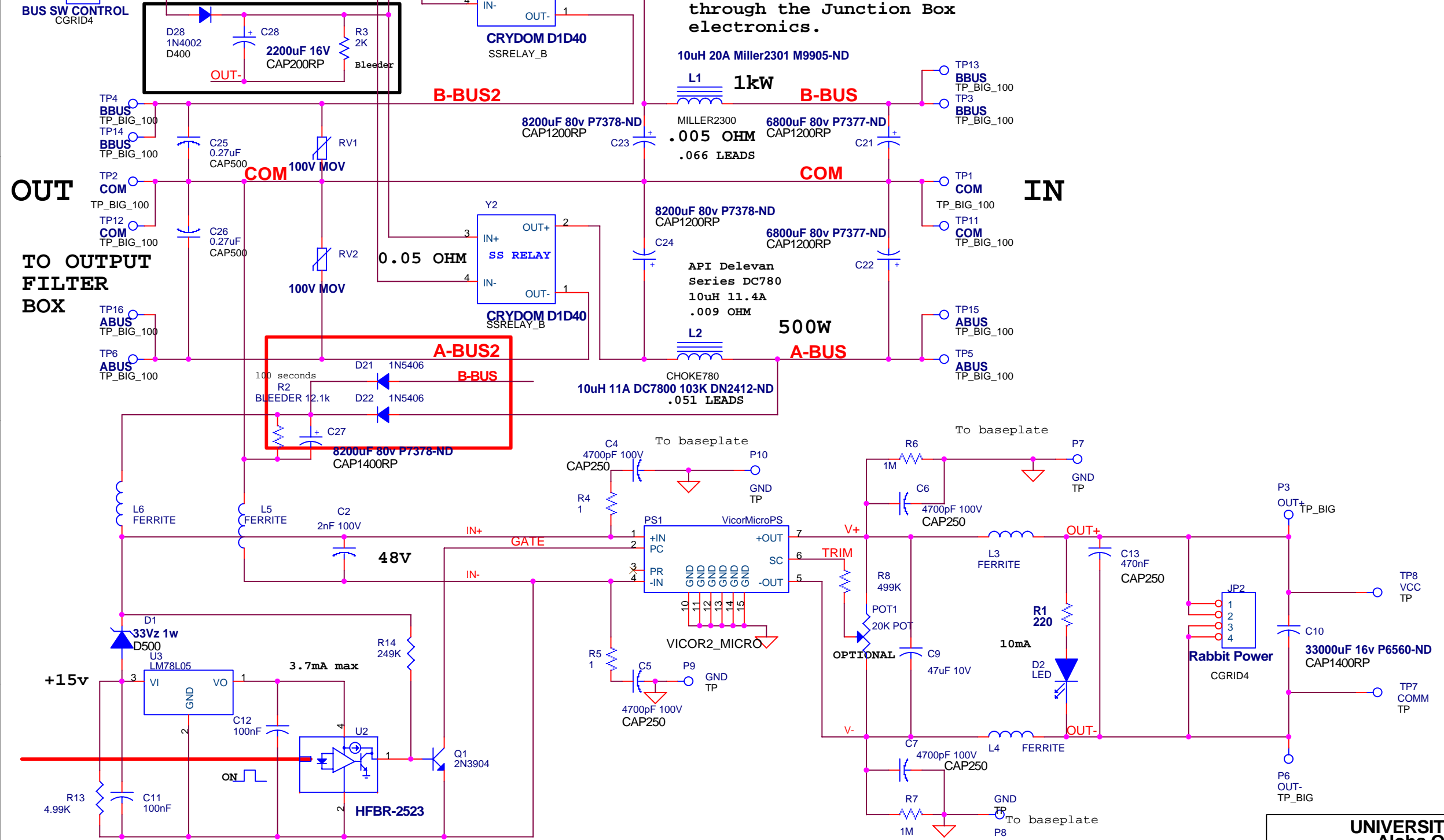


Control comes from Rabbit via the ADCpatch1 board.

CRYDOM D1D40 SS RELAYS
0.05 OHM 100 VOLT 40 AMP

INPUT FROM SUPPLY
These are solid state relays that will turn on the A bus to the Junction Box electronics. The B bus to the users is passed through the Junction Box electronics.

The control can be either delay timers (normal operation set to 1 minute for the A bus and 8 minutes for the B bus) and/or computer control.



1mm PLASTIC FIBER FROM STARTUP TURNS ON RABBIT POWER AT PRESET LEVEL

NETLIST / PCB UPDATE 7/29/06

DATE	COMMENT
	HIGHER CURRENT CHOKES
9/25/2006	PDF FILE

UNIVERSITY OF HAWAII SOEST Aloha Observatory ENGINEERING SUPPORT FACILITY 2525 Correa Rd. Rm.153 Honolulu, HI 96822			
Title: A/B BUS SWITCHES			
Size: B	File Name: BUS_SWITCH5.dsn	Engineer: D Harris	Rev: A
Date: Thursday, September 21, 2006	Sheet: 1	of: 1	1