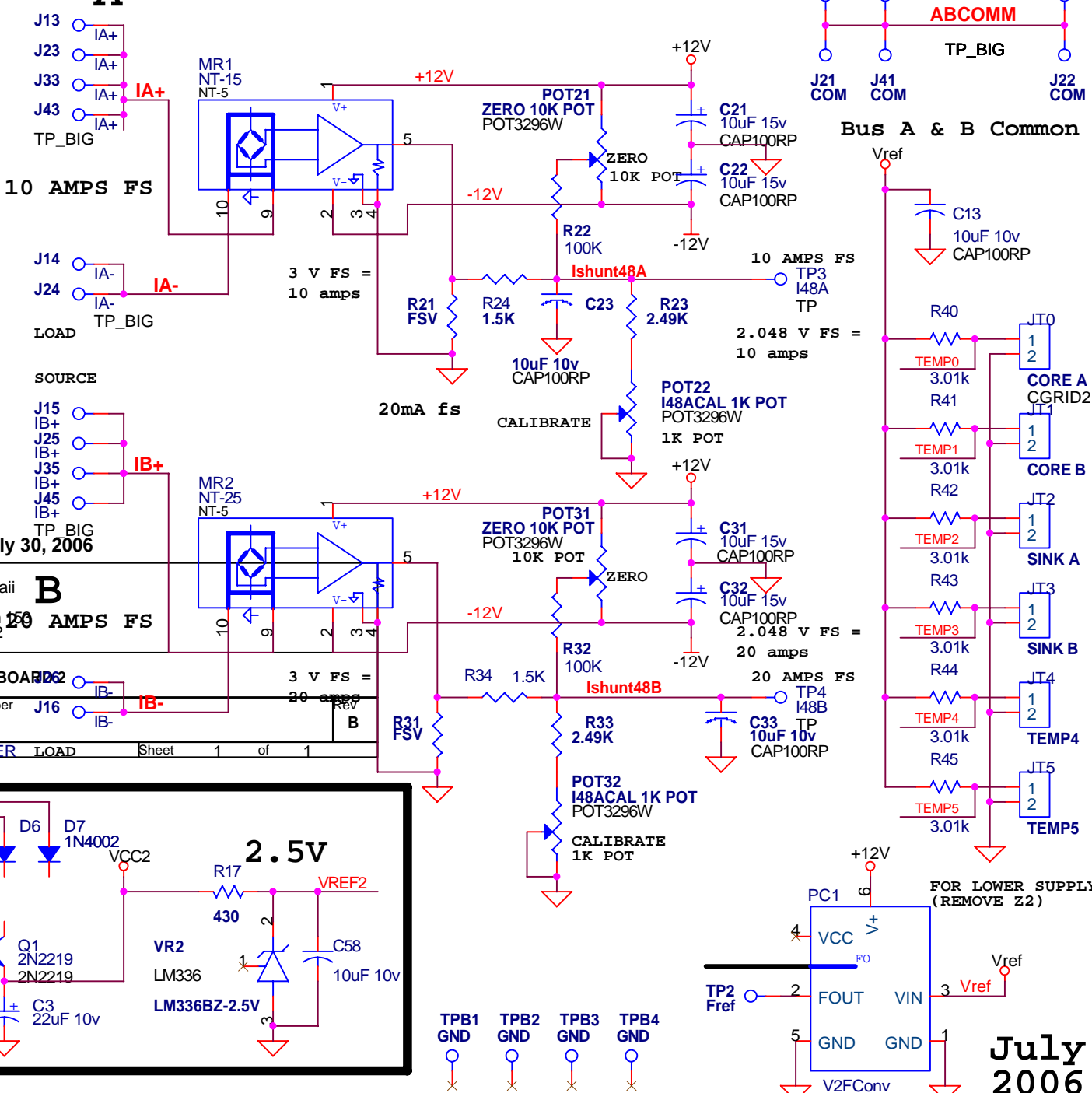


SOURCE

SHUNT CURRENTS



Sunday, July 30, 2006

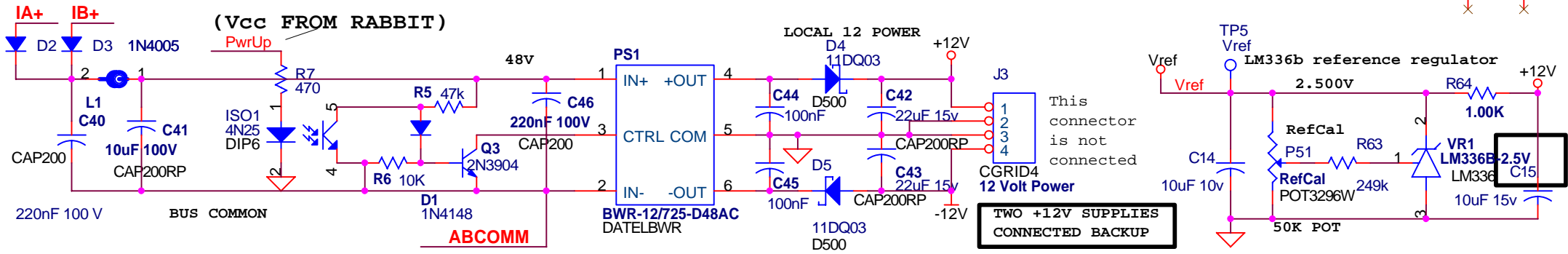
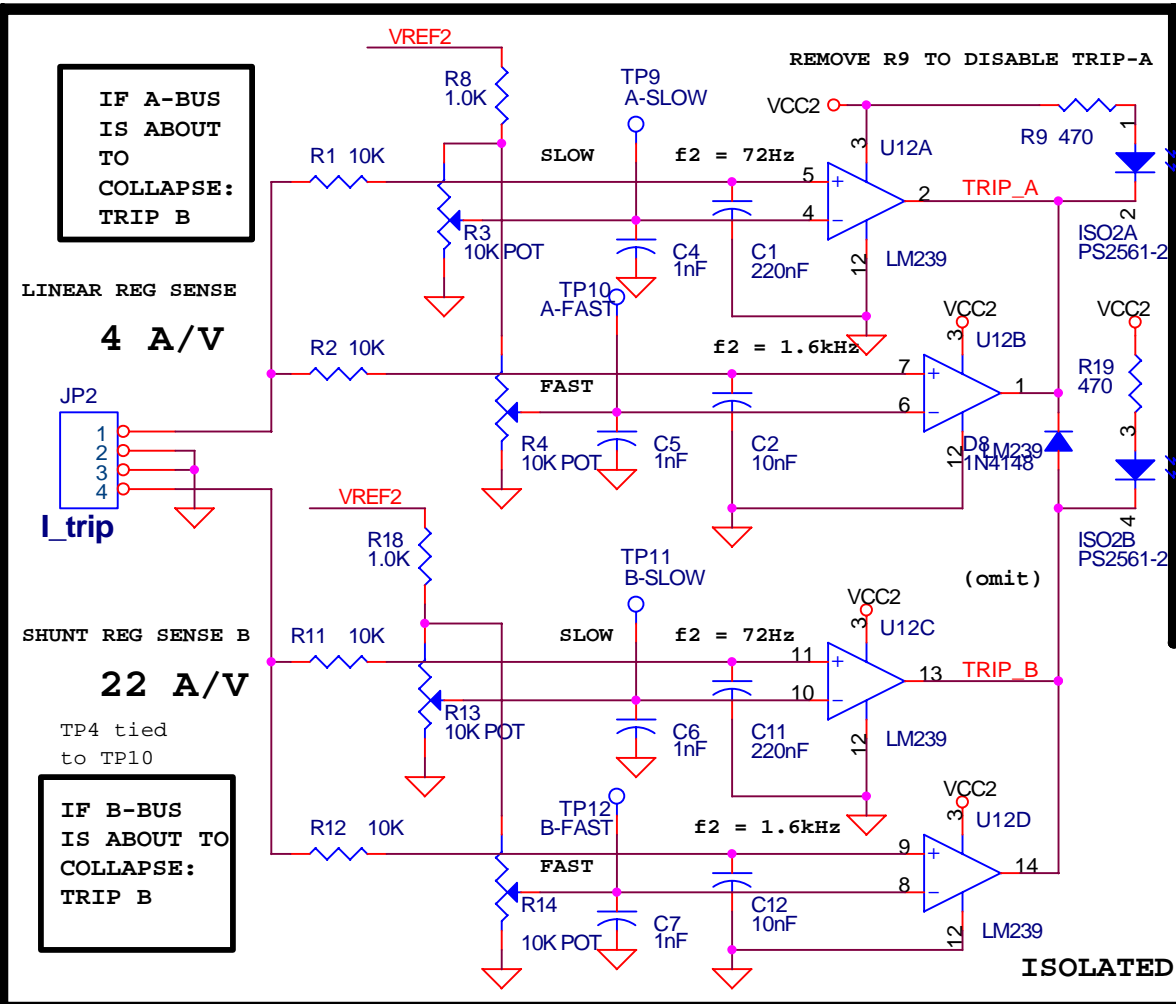
University of Hawaii SOEST ESF
2525 Correa Rd. Rm 153
Honolulu, HI 96822

ADC PATCH BOARD 2

Document Number: ADCPatch2B

Date: ZENER LOAD

Sheet 1 of 1



UNIVERSITY OF HAWAII SOEST
Aloha Observatory
ENGINEERING SUPPORT FACILITY
2525 Correa Rd. Rm.153
Honolulu, HI 96822

Title: ADC PATCH BOARD 2

Size: B	File Name: ADCPatch2R	Engineer:	Rev: A
Date: Sunday, July 30, 2006	Sheet: 1 of 1		