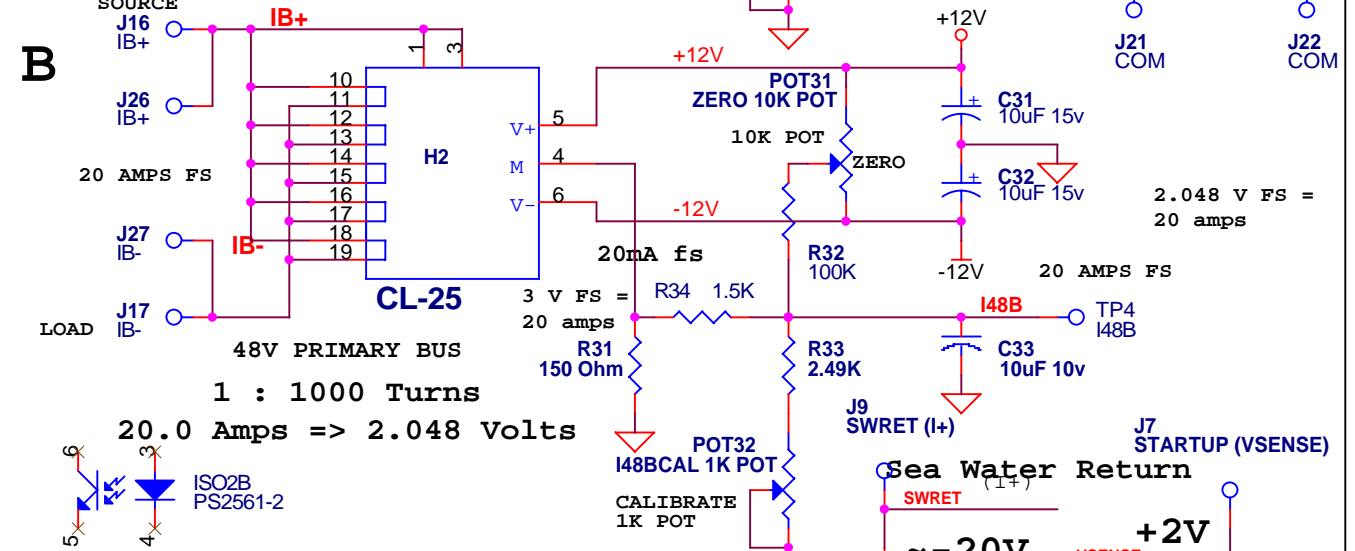
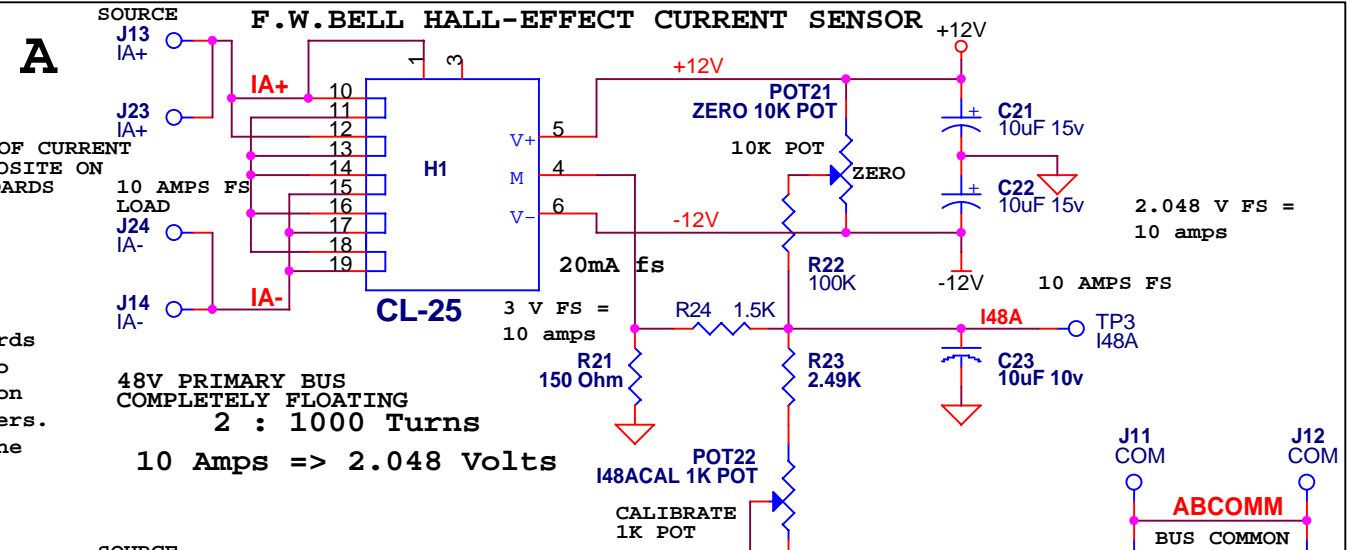
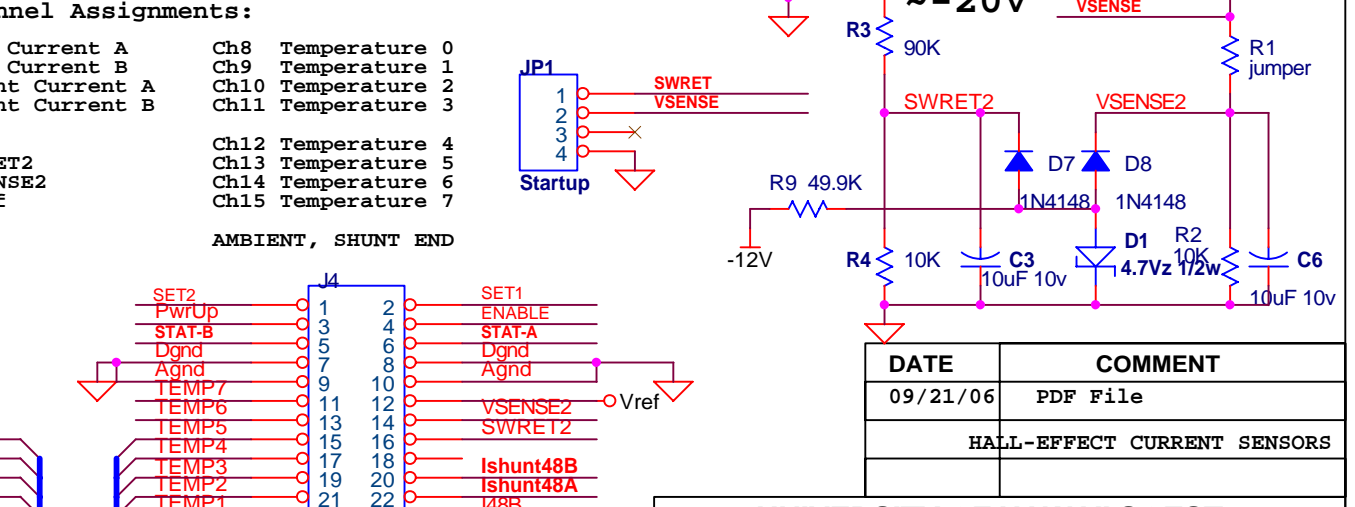


**T&C&S**  
TEMPERATURE and CONTROL and STATUS  
ADCPATCH2 - POWER\_BP2 - POWER\_BP1 - ADCPATCH1



- ADC Channel Assignments:**
- Ch0 Bus Current A
  - Ch1 Bus Current B
  - Ch2 Shunt Current A
  - Ch3 Shunt Current B
  - Ch4 na
  - Ch5 SWRET2
  - Ch6 VSENSE2
  - Ch7 Vref
  - Ch8 Temperature 0
  - Ch9 Temperature 1
  - Ch10 Temperature 2
  - Ch11 Temperature 3
  - Ch12 Temperature 4
  - Ch13 Temperature 5
  - Ch14 Temperature 6
  - Ch15 Temperature 7
- AMBIENT, SHUNT END



**2005**

**RABBIT3000**

SET2 PwrUp STAT-B Dgnd Agnd TEMP7 TEMP6 TEMP5 TEMP4 TEMP3 TEMP2 TEMP1 TEMP0 TEMP8 TEMP9 TEMP10 TEMP11 TEMP12 TEMP13 TEMP14

SET1 ENABLE STAT-A Dgnd Agnd VSENSE2 SWRET2 Ishunt48B Ishunt48A I48B I48A TEMP9 TEMP11 TEMP13 TEMP15

**AD PATCH BOARD 1**

TEMP0..51

A/D CONVERTER CARD  
ADC PATCH BOARD1 to STRATUS ADC

DATE	COMMENT
09/21/06	PDF File
HALL-EFFECT CURRENT SENSORS	

**UNIVERSITY OF HAWAII SOEST**  
Aloha Observatory  
ENGINEERING SUPPORT FACILITY  
2525 Correa Rd. Rm.153  
Honolulu, HI 96822

Title: **AD PATCH BOARD 1**

Size: File Name: ADCPatch1b Engineer: Rev: A

Date: Thursday, September 21, 2006 Sheet 1 of 1