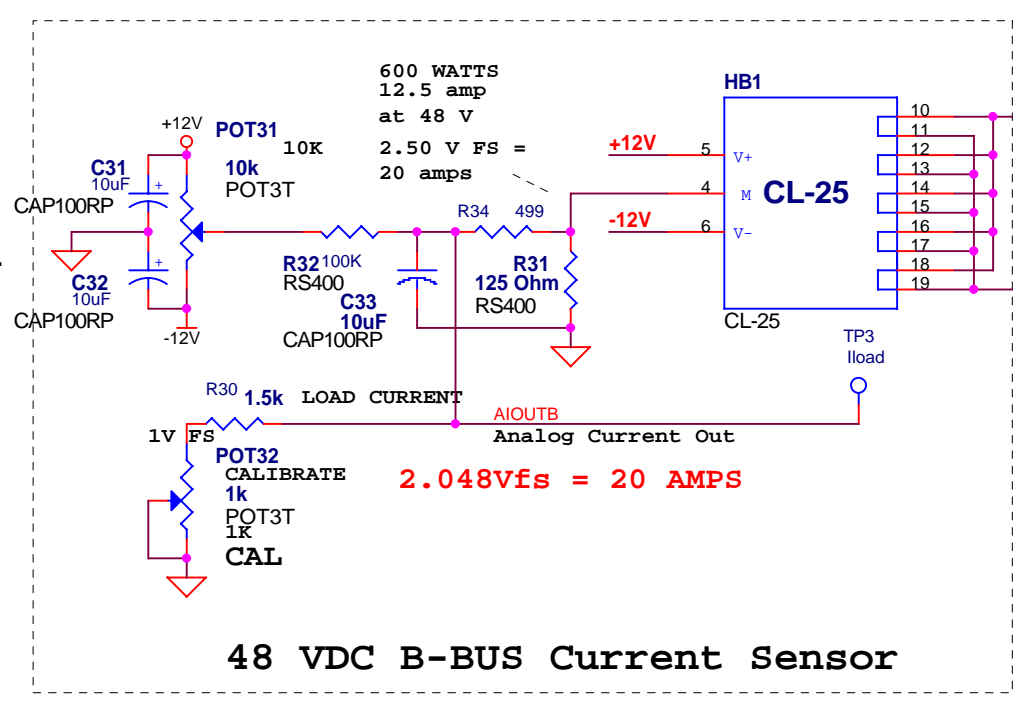
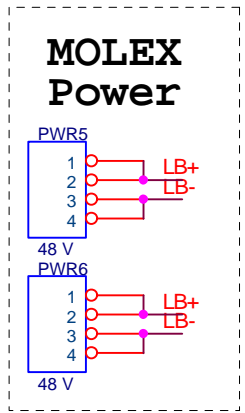


48 VDC A-BUS Current Sensor

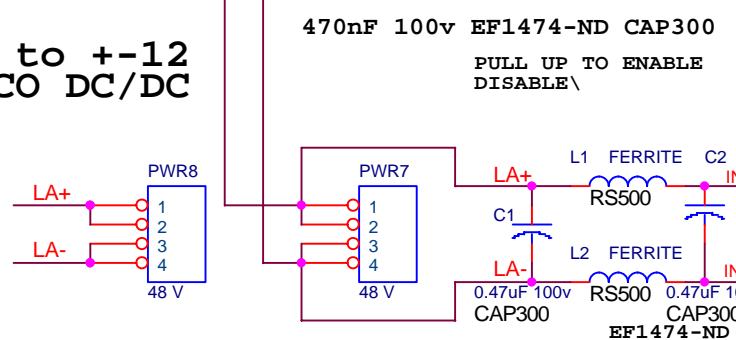


48 VDC B-BUS Current Sensor

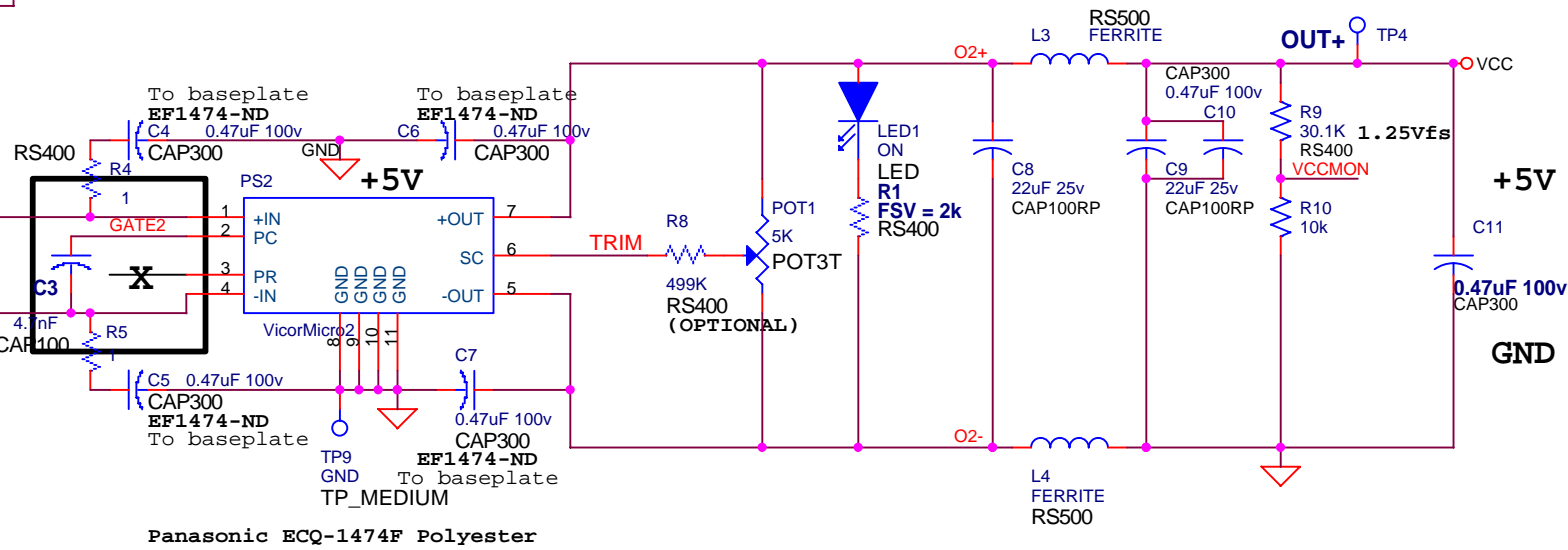
1:1000 48 VDC from Shunt Regulator



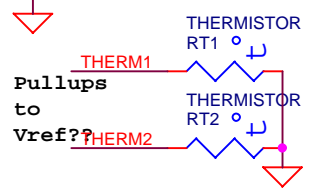
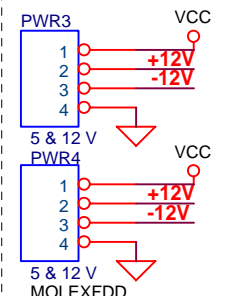
48 VDC to +/-12 VDC PICO DC/DC



48 VDC to +/-12 VDC PICO DC/DC



MOLEX Power



POWER END CAP OBSERVATORY POWER

DATE	COMMENT
9/21/06	PDF FILE

<b>UNIVERSITY OF HAWAII</b> <b>Aloha Observatory</b> Engineering Support Facility 2525 Correa Road Honolulu, HI 96822	
Title: <b>ALOHA 48V to 5V DCDC converter</b>	
Size: B	File Name: VICORS_1.DSN
Date: Thursday, September 21, 2006	Engineer: J Jolly Rev A
Sheet: 1	of 1

Description: 5VDC Observatory DCDC converter and 48V A & B bus current sense