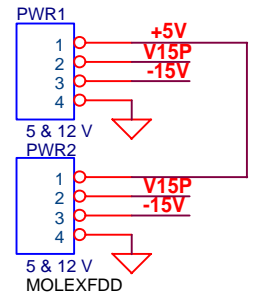
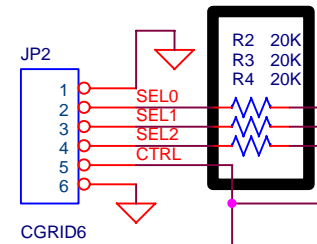


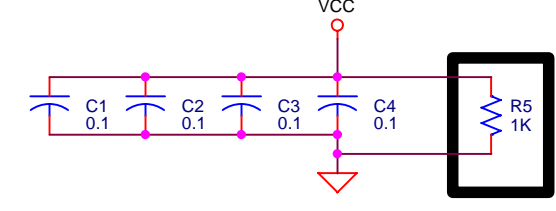
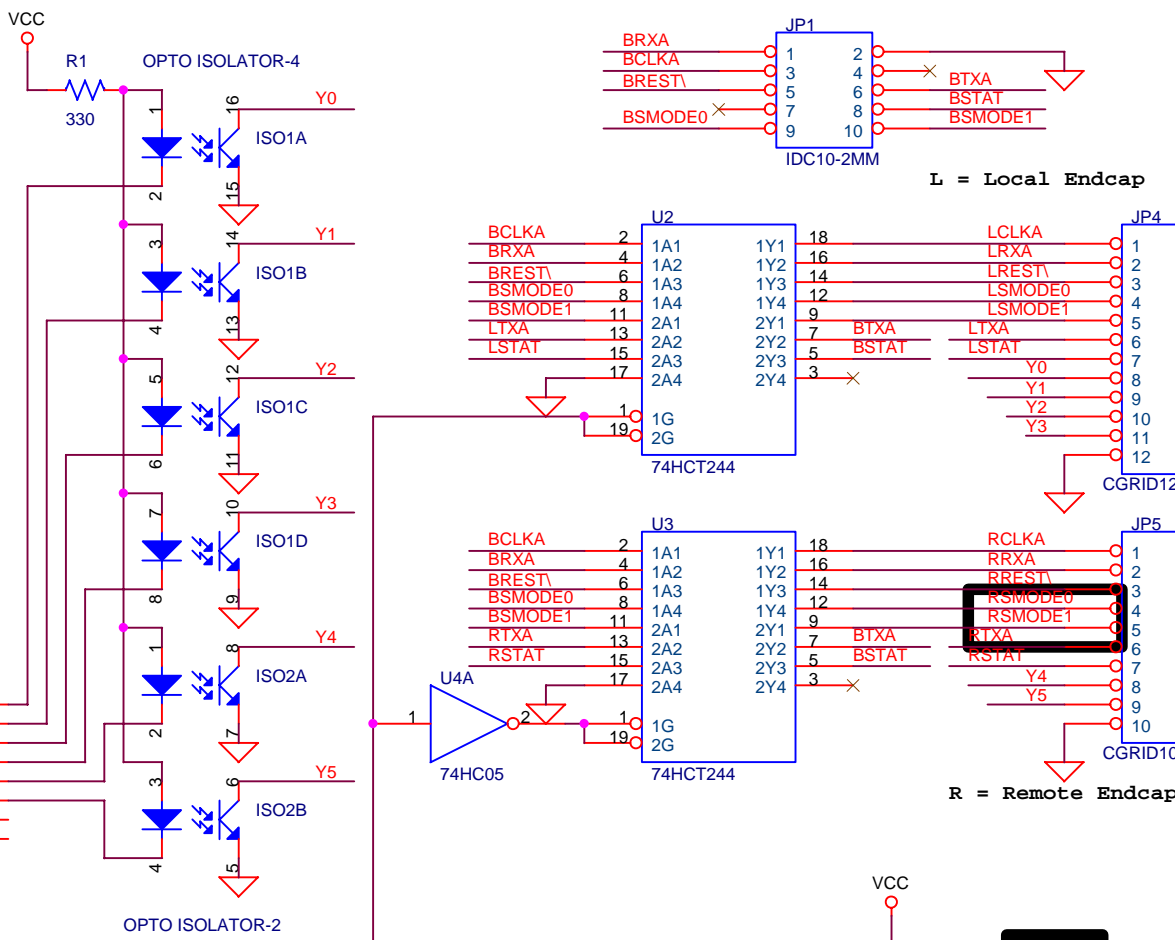
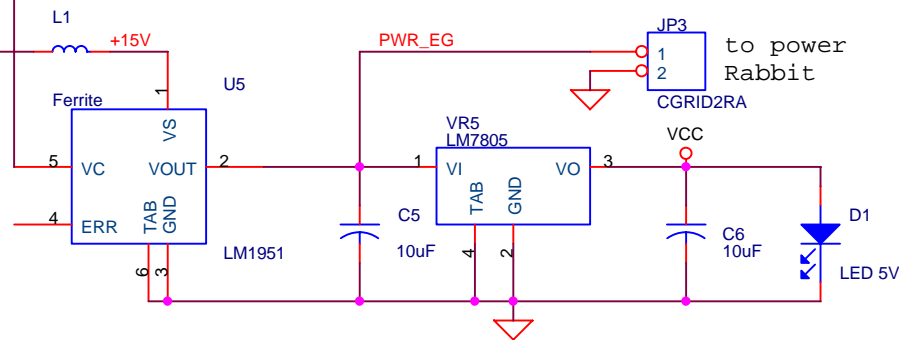
MOLEX Power



These 20K resistors are to prevent the SEL0..2 signals from "back" powering the CMOS ICs via the parasitic diode drops to VCC (~4.4V)



The power up commands come from the IRIG Rabbit controller board



9/19/06 PDF FILE

Description: Remote EC2110 programmer to selected Rabbit 3000 module interface

DATE	COMMENT
9/21/06	PDF FILE

UNIVERSITY OF HAWAII
Aloha Observatory
 Engineering Support Facility
 2525 Correa Road
 Honolulu, HI 96822

Title: **Rabbit 3000 remote programmer**

Size: File Name: program1.dsn Engineer: J Jolly Rev A
 Date: Thursday, September 21, 2006 Sheet 1 of 1