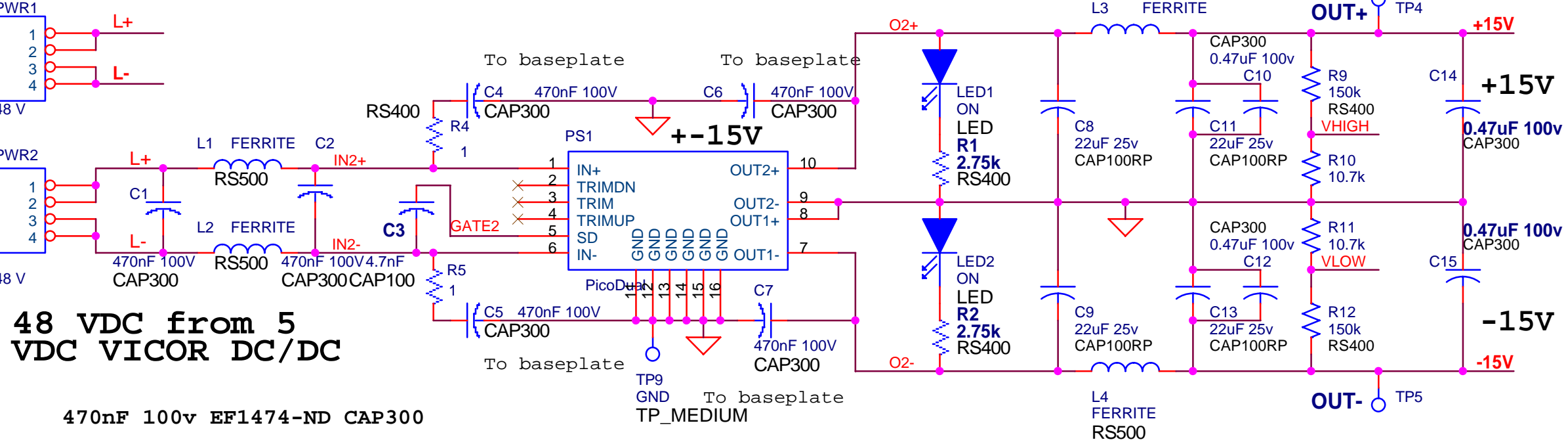
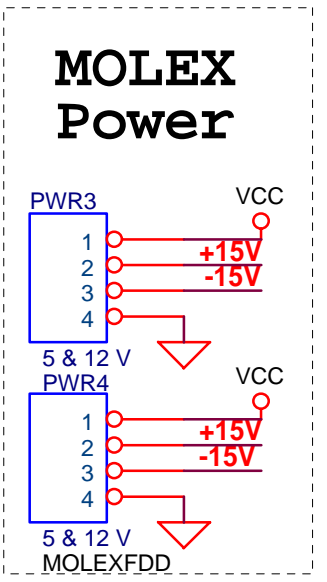
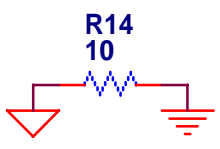
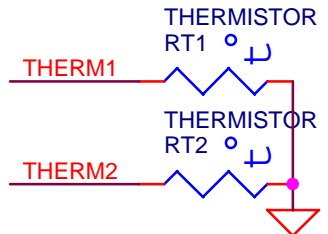
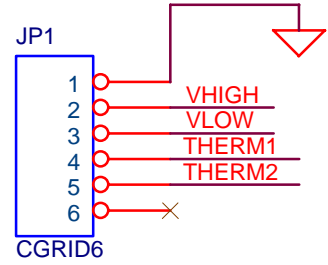


A-BUS



48 VDC from 5 VDC VICOR DC/DC

470nF 100v EF1474-ND CAP300



Description: +/-15 VDC Observatory PS converter and PS Temperature thermistors

DATE	COMMENT
9/21/06	PDF FILE

UNIVERSITY OF HAWAII
Aloha Observatory
 Engineering Support Facility
 2525 Correa Road
 Honolulu, HI 96822

Title: **Isolated +/-15 V DCDC converter**

Size A File Name: PICO15_1.DSN Engineer: **J Jolly** Rev A

Date: Thursday, September 21, 2006 Sheet 1 of 1