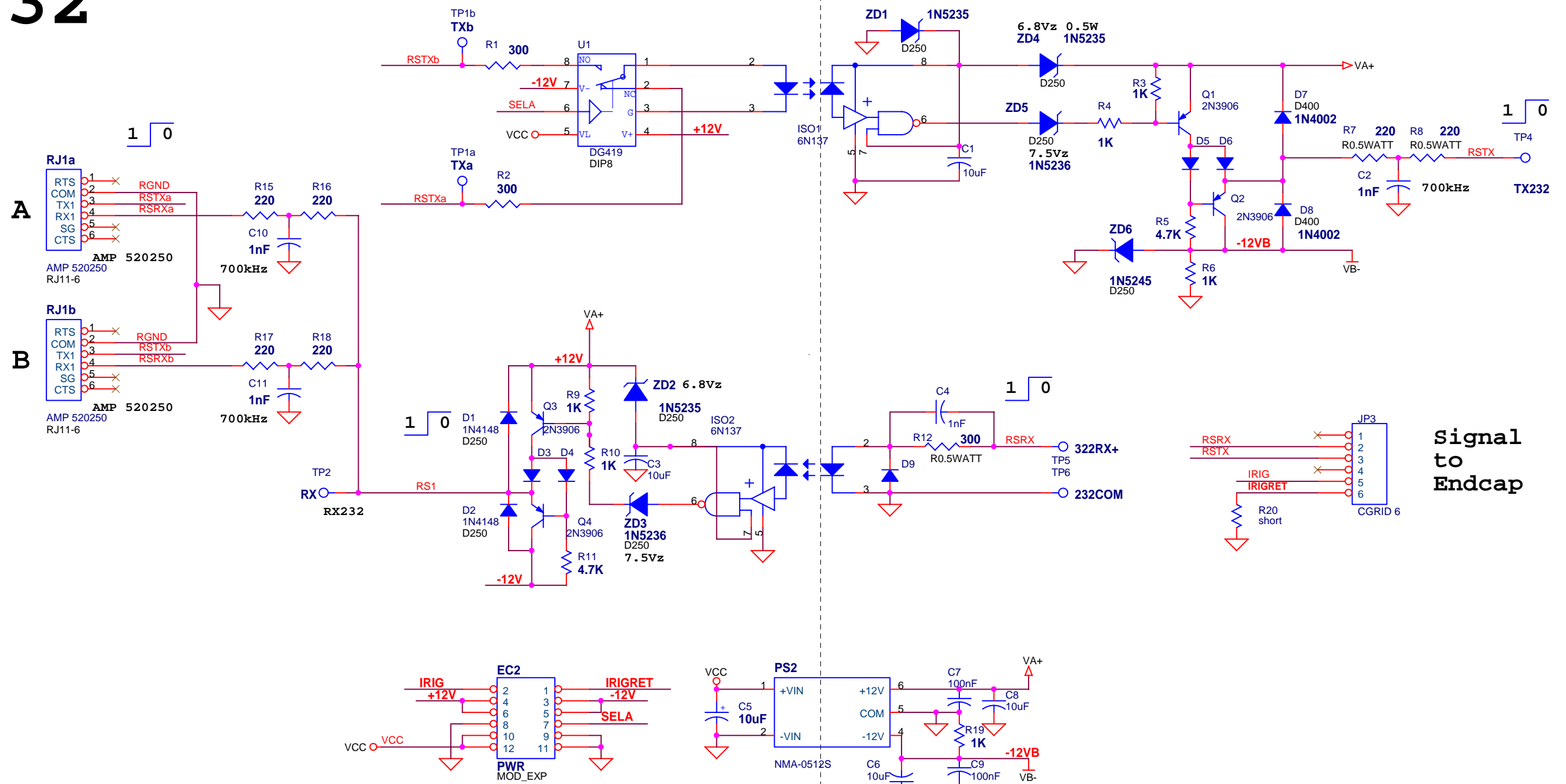


RS232

SPLIT PLANES

SIGNAL DIODES 1N4148



NOTE:
POWER PLANE IS SPLIT. EC2-2,4(VA+)
IS ISOLATED FROM PS2 (+12v)

NOT USED: R13,R14

Description: Plugin module for RS232 communications on local experiment

DATE	COMMENT
9/21/06	PDF FILE

UNIVERSITY OF HAWAII Aloha Observatory Engineering Support Facility 2525 Correa Road Honolulu, HI 96822	
Title: Isolated RS232 user interface module	
Size: B	File Name: MOD232.DSN
Date: Thursday, September 21, 2006	Engineer: J Jolly Rev A
Sheet: 1	of 1