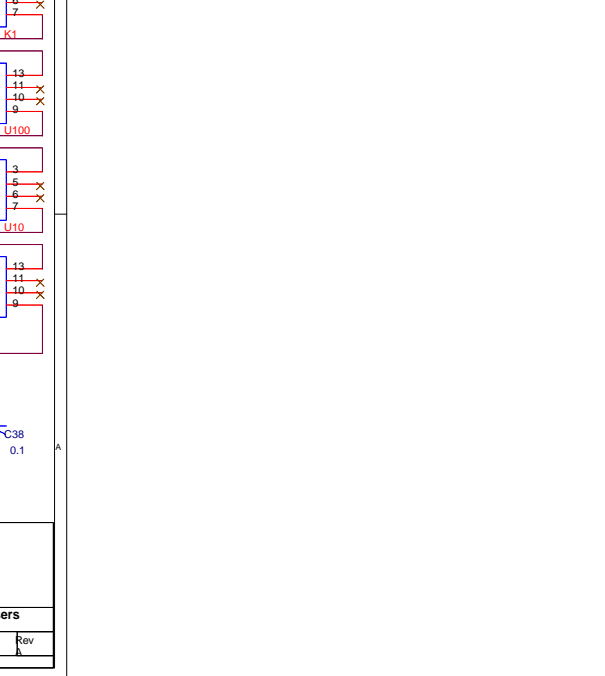
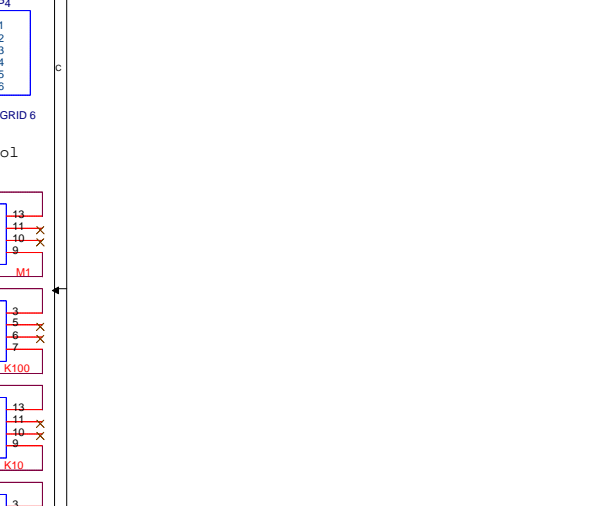
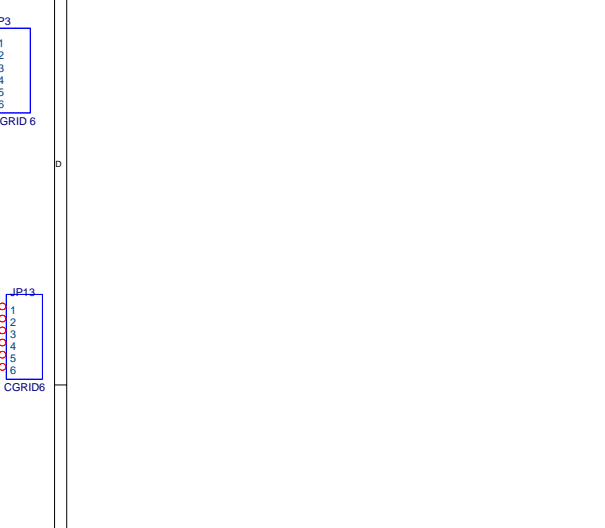
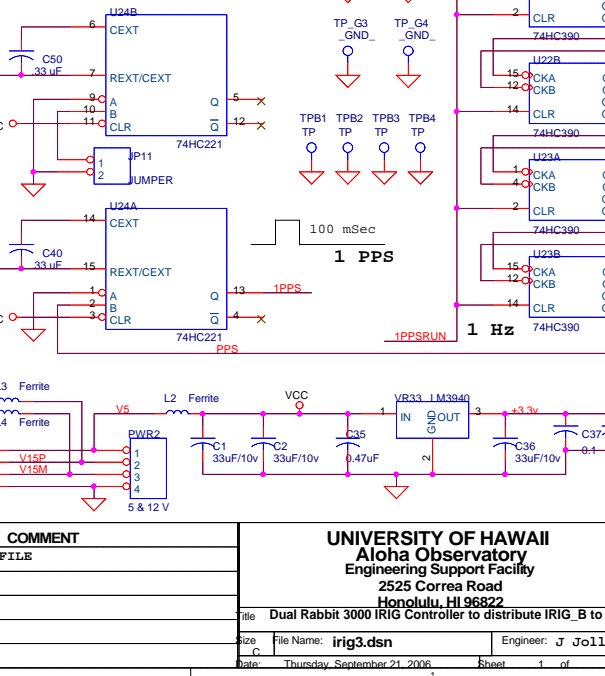
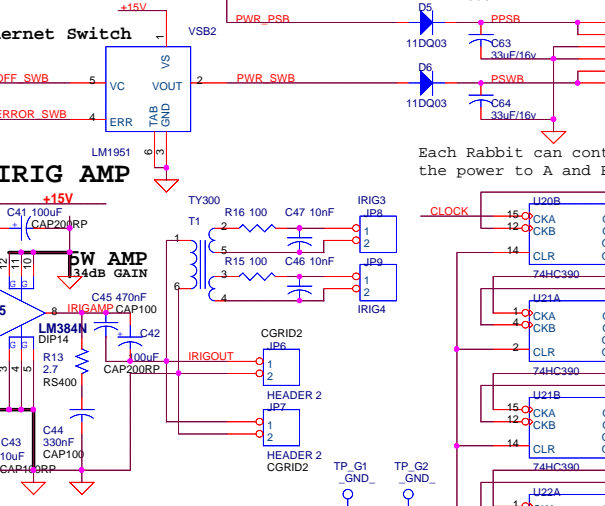
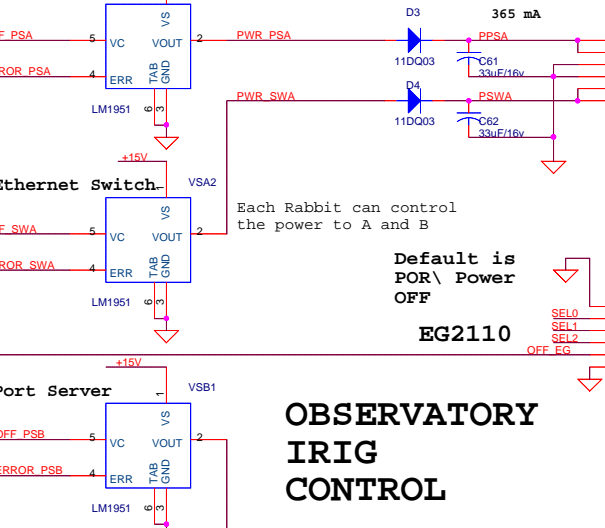
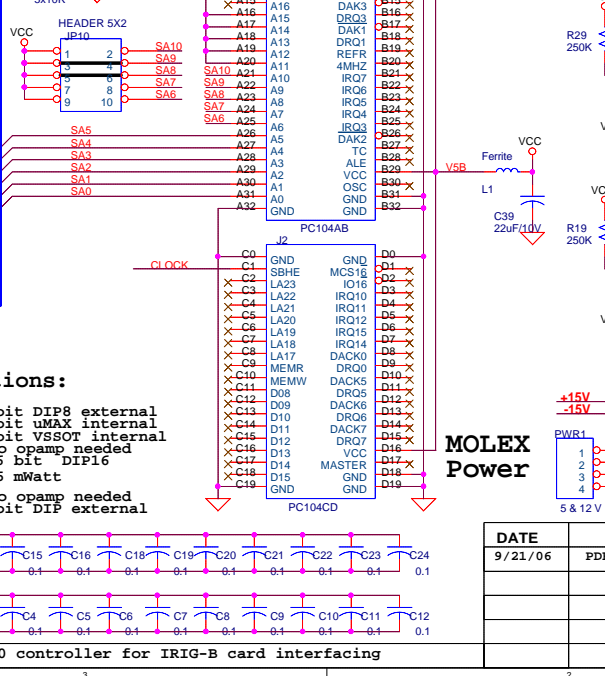
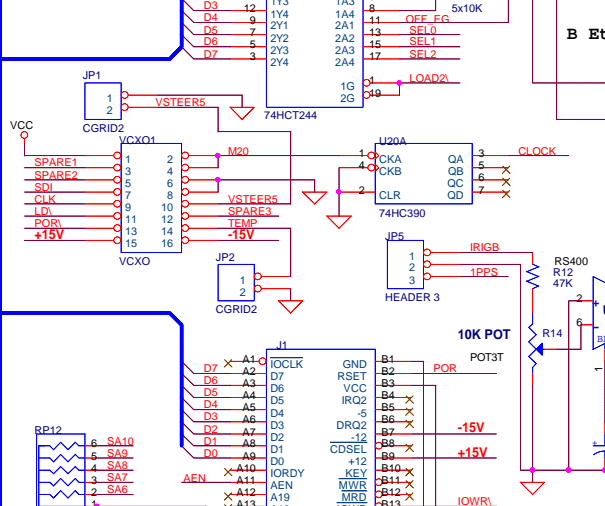
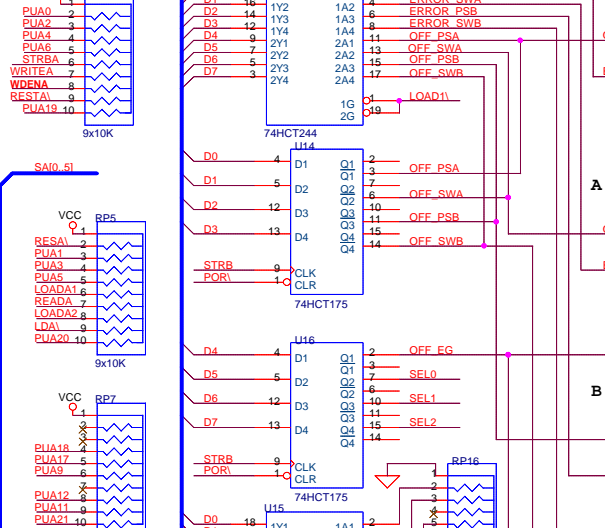
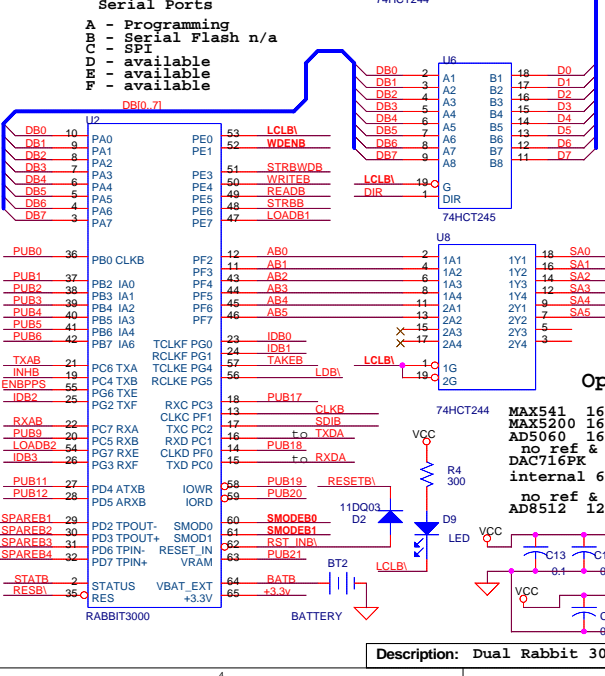
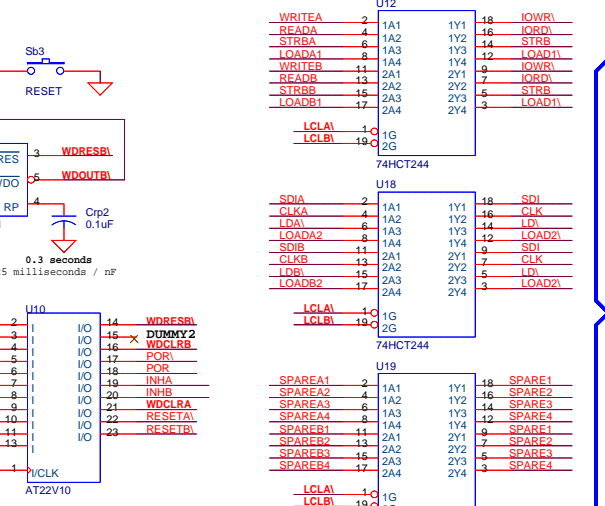
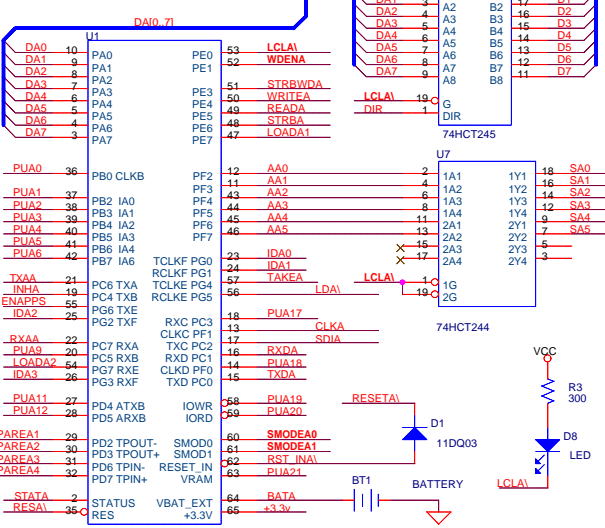
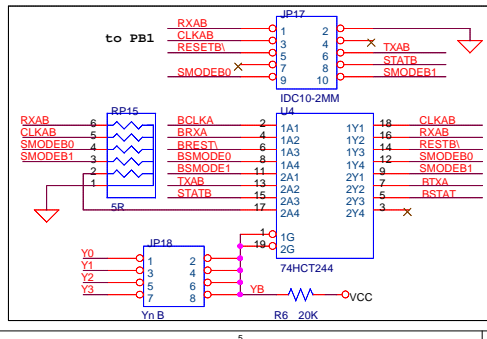
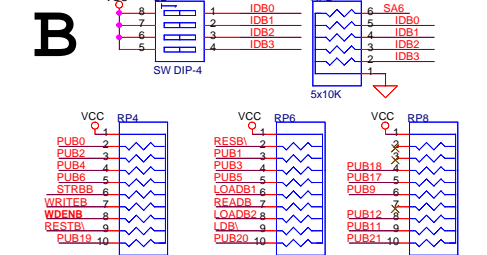
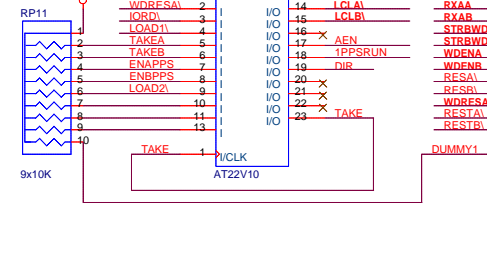
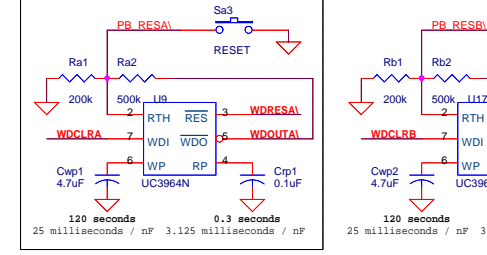
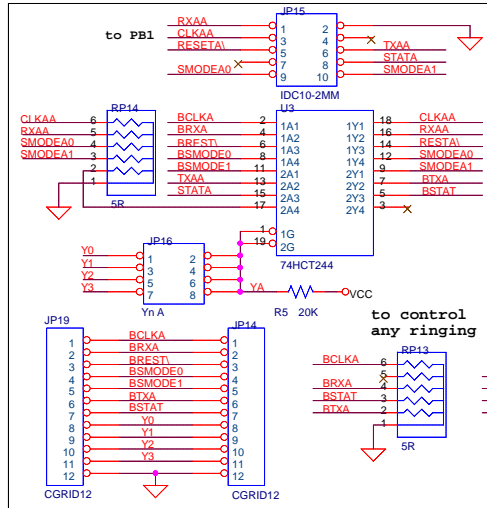


A



NOTE: Rabbit Serial Ports
 A - Programming
 B - Serial Flash n/a
 C - SPI
 D - available
 E - available
 F - available

Description: Dual Rabbit 3000 controller for IRIG-B card interfacing