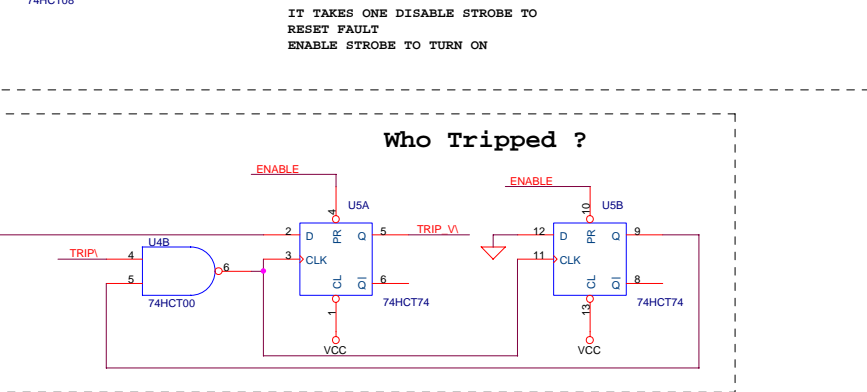
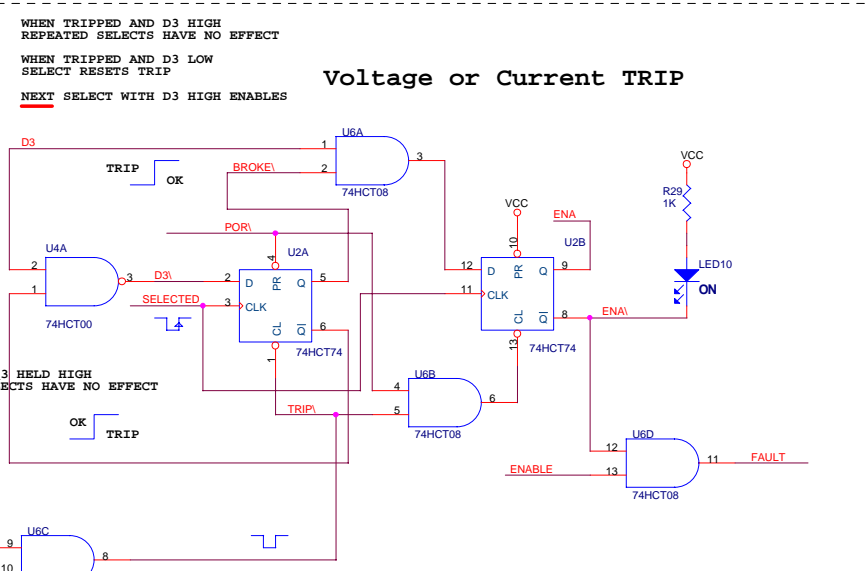
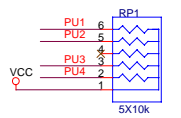
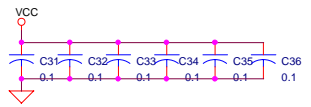
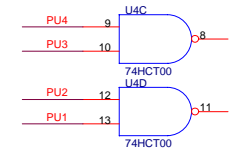
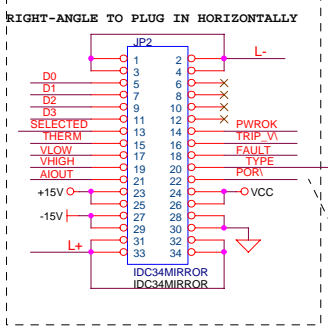
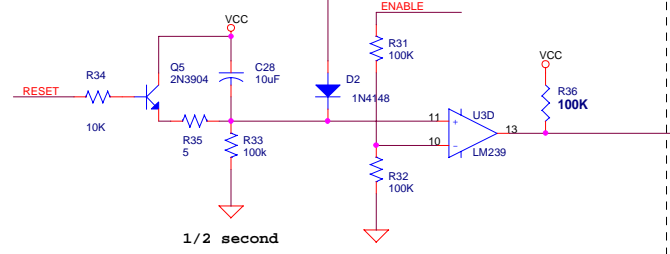


48V ==> 1.978V  
 24V ==> 0.993V  
 MULTIPLY BY 24.158

- FEATURES TO RETAIN:**
- DPST SWITCH
  - TRIP LEVELS 1-8 PLUS "OFF"
  - SLOW BLOW PLUS FAST TRIP
  - 25%/75% LEDs
- NEW FEATURES:**
- CL-25 HALL SENSOR
  - STACKING POWER CONNECTOR
  - NEW BACKPLANE BUS STRUCTURE
  - NEW ADDRESSING
- FEATURES TO DELETE:**
- OPTOISOLATOR CURRENT SENSE
  - FLOATING CURRENT SENSOLR
  - BACKPLANE COMPONENTS



**INSTRUMENT END CAP OBSERVATORY CIRCUIT BREAKERS**



DATE	COMMENT
9/21/06	PDF FILE

**UNIVERSITY OF HAWAII**  
**Aloha Observatory**  
 Engineering Support Facility  
 2525 Correa Road  
 Honolulu, HI 96822

File: **Programmable 100 W 48 V Circuit Breaker**  
 File Name: B\_MINI2.DSN Engineer: J Jolly Rev A  
 Date: Thursday, September 21, 2006 Sheet 1 of 1

Description: Programmable 100 W and Isolated 48V Circuit Breakers for user