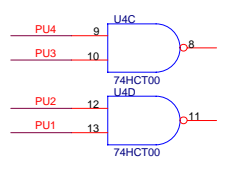
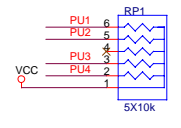
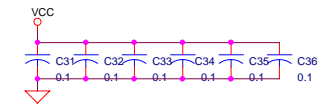
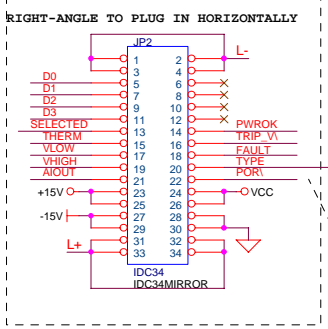


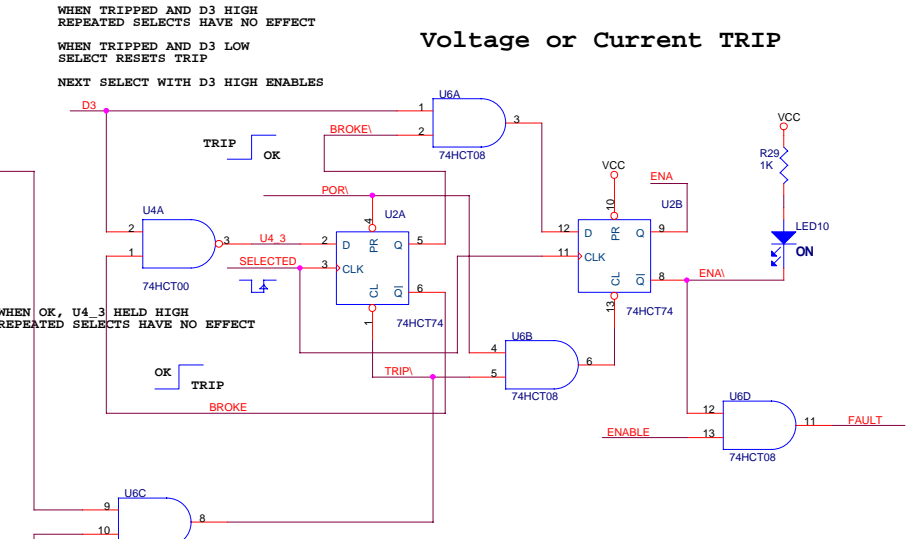
**FEATURES TO RETAIN:**  
 DPST SWITCH  
 TRIP LEVELS 1-8 PLUS "OFF"  
 SLOW BLOW PLUS FAST TRIP  
 25%/75% LEDS

**NEW FEATURES:**  
 CL-25 HALL SENSOR  
 STACKING POWER CONNECTOR  
 NEW BACKPLANE BUS STRUCTURE  
 NEW ADDRESSING

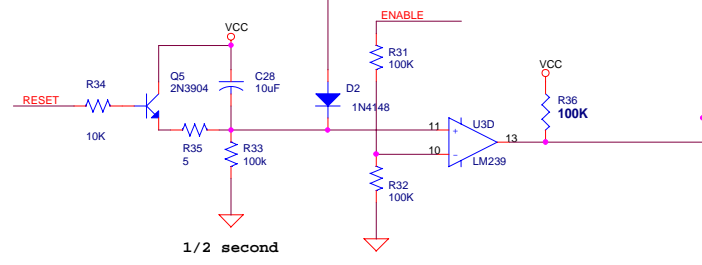
**FEATURES TO DELETE:**  
 OPTOISOLATOR CURRENT SENSE  
 FLOATING CURRENT SENSOLR  
 BACKPLANE COMPONENTS



**Voltage or Current TRIP**



**Voltage Drop TRIP from power OK**



**INSTRUMENT END CAP OBSERVATORY CIRCUIT BREAKERS**

1/2 second

DATE	COMMENT
9/21/06	PDF FILE

**UNIVERSITY OF HAWAII**  
**Aloha Observatory**  
 Engineering Support Facility  
 2525 Correa Road  
 Honolulu, HI 96822

File: **Programmable 75 W 48V Circuit Breaker**  
 File Name: B\_MICRO2.DSN Engineer: J Jolly Rev A  
 Date: Thursday, September 21, 2006 Sheet 1 of 1

Description: Programmable 75 W and Isolated 48V Circuit Breakers for user