

8

7

6

5

4

3

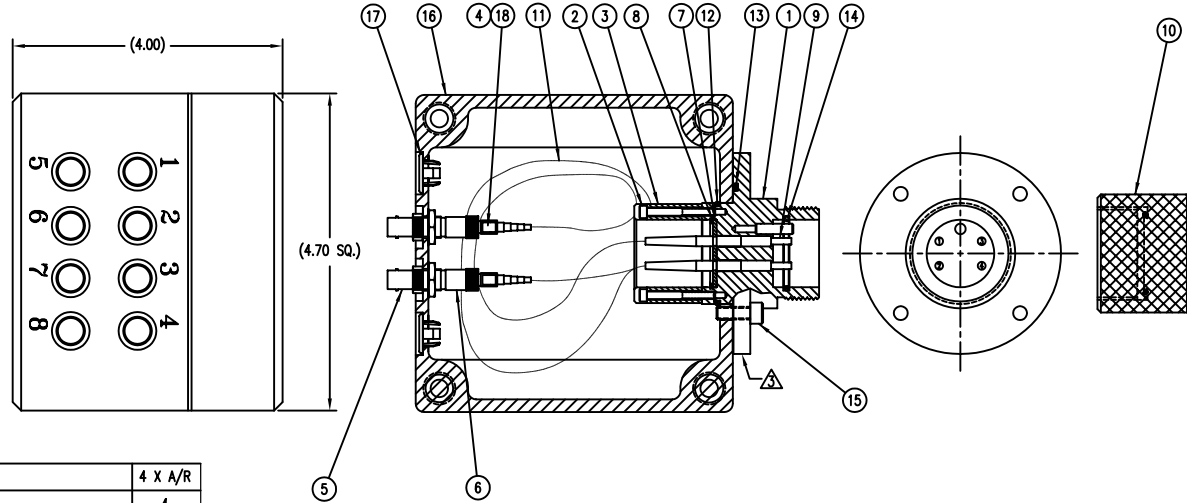
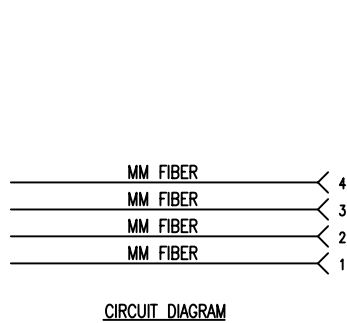
2

1

- NOTES:
- DO NOT SCALE FROM DRAWING.
 - FOR OUTLINE/INTERFACE DETAILS REFER TO DRAWING 14270 (DMO-071-03).
 - ENGRAVE THE FOLLOWING APPROX. WHERE SHOWN PER 10632 (SOP-015-39):
 OCEAN DESIGN INC.
 S/N _____
 CUSTOMER P/N _____ (IF APPLICABLE)
- ▲ FIBER PIGTAIL LENGTH TO BE 9'10" +6"/-0" [3M].

UNCONTROLLED COPY
 COPY FOR INFORMATION ONLY
 WILL NOT BE KEPT UP TO DATE
 APPROVAL TO ISSUE LME DATE 12/29/05

REVISION	DESCRIPTION	DATE	APPROVED
A	CO 11088 INITIAL ISSUE	12-29-05	WDP



18	1013497	RNF-100 X 1/4"	CLEAR HEATSHRINK	B.O.F.	4 X A/R
17	1031560	207-241141-00	CAP HOLE PLUG	B.O.F.	4
16	1041131	FIB-204-04-14	NEWARK ENCLOSURE	ALUMINUM	1
15	1000233	10-32 UNC X 1/2"	SOCKET HEAD CAP SCREW	TITANIUM, COMM. PURE GR. 2	4
14	1000354	2-022-N674-70	PARKER O-RING	NITRILE RUBBER	1
13	1000437	2-134-N674-70	PARKER O-RING	NITRILE RUBBER	1
12	1000366	2-028-N674-70	PARKER O-RING	NITRILE RUBBER	1
11	1000055	001K41-31141-24	62.5/125/900 MMF PVC, WHITE	B.O.F.	4 X A/R
10	1016324	DMO-328-01	PROTECTIVE CAP	VARIOUS (DELTRIN)	1
9	1005656	DMO-293-01-1	DMO RCPT OPTICAL STEM S/A	VARIOUS	4
8	1016271	WH-100-HAS	INTERNAL RETAINING RING	HASTELLOY	1
7	1004636	DMO-052-04-4-2	4-WAY DMO STEM RTNG PLT	TITANIUM, COMM. PURE, GR. 2	1
6	1014457	SLP-18212510	SEIKO, ST CONNECTOR	B.O.F.	4
5	1006220	F18102V	ST COUPLER	B.O.F.	4
4	1000679	44-105	IDENT LABEL "1" THRU "4"	B.O.F.	4
3	1005576	DMO-267-04	PROTECTIVE RING	DELTRIN	1
2	1031110	4-40 UNC X 1	SOCKET HEAD CAP SCREW	TITANIUM, COMM. PURE, GR. 2	2
1	1004810	DMO-073-04-4-2	RECEPTACLE SHELL	TITANIUM, COMM. PURE, GR. 2	1
ITEM	PART #	REF. #	DESCRIPTION	MATERIAL	QTY

PARTS LIST

ALL DATA AND INFORMATION CONTAINED OR DISCLOSED BY THIS DOCUMENT IS CONFIDENTIAL AND PROPRIETARY INFORMATION OF OCEAN DESIGN, INC. AND ALL RIGHTS THEREIN ARE EXPRESSLY RESERVED. BY ACCEPTING THIS MATERIAL THE RECIPIENT AGREES THAT THE MATERIAL AND THE INFORMATION CONTAINED THEREIN IS HELD IN CONFIDENCE AND IN TRUST AND WILL NOT BE USED, COPIED, REPRODUCED IN WHOLE OR IN PART, NOR ITS CONTENTS REVEALED IN ANY MANNER TO OTHERS, EXCEPT TO MEET THE SPECIFIC PURPOSE FOR WHICH IT WAS BELIEVED.

UNLESS OTHERWISE SPECIFIED DIMENSIONS ARE IN INCHES. TOLERANCES AND ANGLES: ± 1/2" FRACTIONS DECIMALS ± 1/64 ± .X = .05 ± .XX = .01 ± .XXX = .003 SURFACE FINISH: CONCENTRICITY: .004 TIR: BREAK ALL UNRND CORNERS R.05 INTERNAL CORNERS R.02 MAX THIRD ANGLE PROJECTION

ODI advanced technology systems
 OCEAN DESIGN, INC.
 www.odi.com

APPROVALS: DATE: 40/0E MM DMO BLKHD RCPT GA DRAWING W/ PARTS LIST

DRAWN: TAS
 CHECKED: MF
 ENGR: WDP
 DESIGN

SIZE: B
 SCALE: FULL

CAGE CODE: OVV88
 DOC. NO.: 92897
 PART NO.: 1039641
 REF. NO.: COS-059-01

REV: A
 SHEET 1 OF 1

8

7

6

5

4

3

2

1