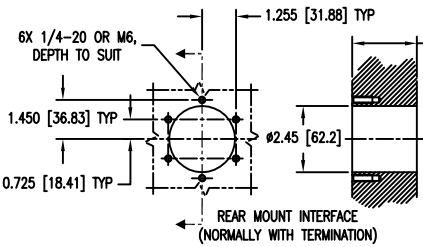
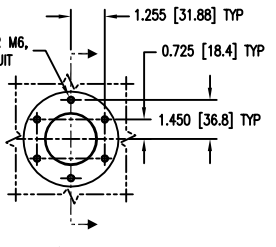
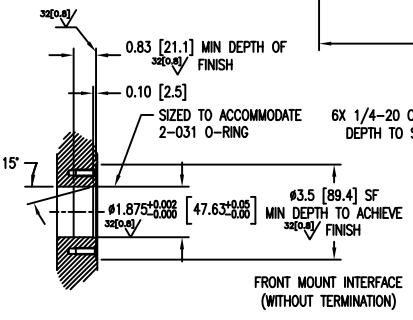
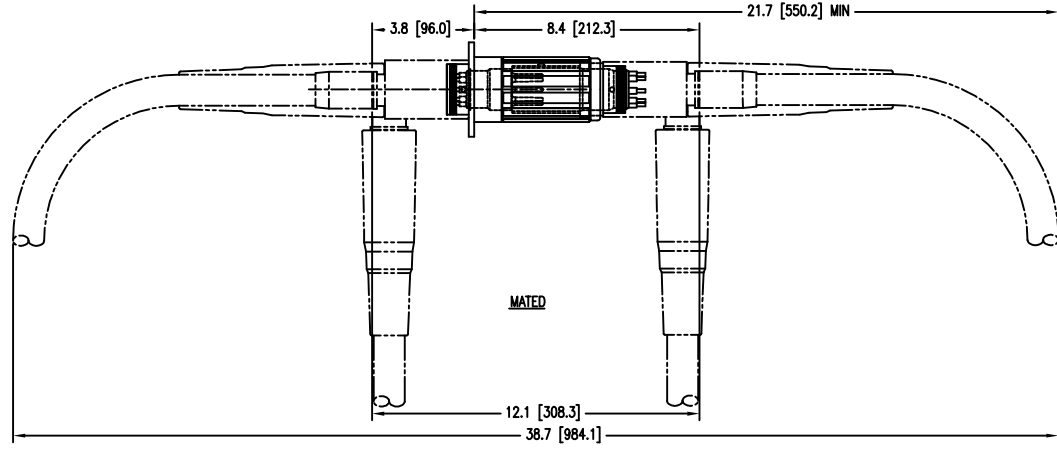
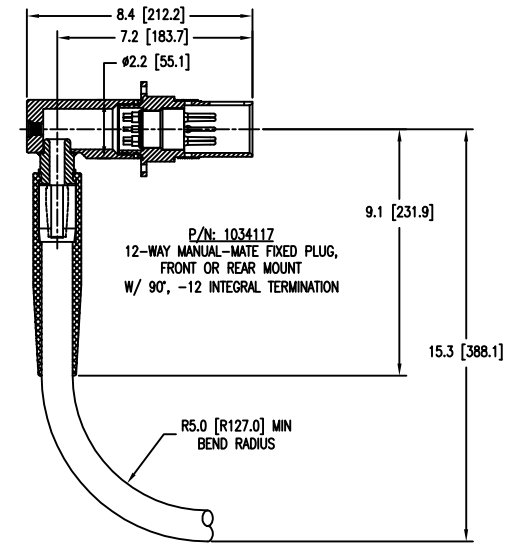
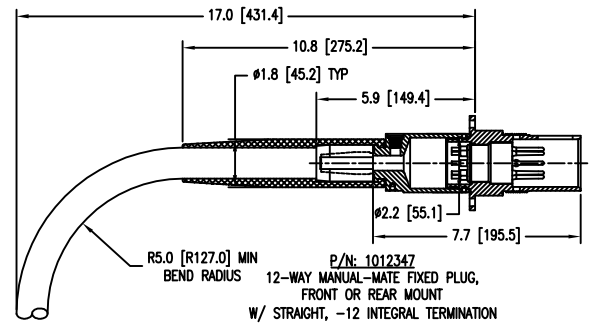
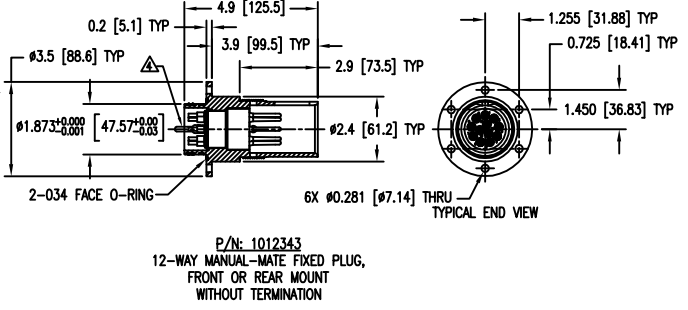


8 7 6 5 4 3 2 1

- NOTES:
 1. DO NOT SCALE FROM DRAWING.
 2. CONNECTOR SHELL MATERIAL: 316L STAINLESS STEEL
 3. MATING CONNECTOR:
 1011942 - 12-WAY MANUAL-MATE CABLE-END RECEPTACLE WITH STRAIGHT, -12 INTEGRAL TERMINATION
 1034125 - 12-WAY MANUAL-MATE CABLE-END RECEPTACLE WITH 90°, -12 INTEGRAL TERMINATION
 △ BOOT SEALS COMPATIBLE WITH SEA WATER & DOW CORNING DC-200 FLUID.
 SIZED TO ACCOMMODATE CONDUCTORS WITH O.D.'S FROM #0.073 TO #0.088.
 16 AWG RAYCHEM TYPE 44 WIRE (#0.081 O.D.)

**UNCONTROLLED COPY
 COPY FOR INFORMATION ONLY
 WILL NOT BE KEPT UP TO DATE**

REVISION	DESCRIPTION	DATE	APPROVED
A	CO 8712 INITIAL ISSUE	9-28-05	KMN



ALL DATA AND INFORMATION CONTAINED OR DISCLOSED BY THIS DOCUMENT IS CONFIDENTIAL AND PROPRIETARY INFORMATION OF OCEAN DESIGN, INC. AND ALL RIGHTS THEREIN ARE EXPRESSLY RESERVED. BY ACCEPTING THIS MATERIAL THE RECIPIENT AGREES THAT THE MATERIAL AND THE INFORMATION CONTAINED THEREIN IS HELD IN CONFIDENCE AND IN TRUST AND WILL NOT BE USED, COPIED, REPRODUCED IN WHOLE OR IN PART, NOR ITS CONTENTS REVEALED IN ANY MANNER TO OTHERS, EXCEPT TO MEET THE SPECIFIC PURPOSE FOR WHICH IT WAS DELIVERED.

UNLESS OTHERWISE SPECIFIED DIMENSIONS ARE IN INCHES. TOLERANCES ARE: ANGLES ± 1/2° FRACTIONS DECIMALS ± 1/64 ± .005 ± .01 ± .003 SURFACE FINISH CONCENTRICITY .004 TIR THIRD ANGLE PROJECTION

ODI advanced technology systems
 OCEAN design, inc.
 www.odi.com

APPROVALS	DATE	12-WAY MANUAL-MATE FIXED PLUG, FRONT OR REAR MOUNT STANDARD PRODUCT DRAWING
DRAWN TAS		
CHECKED MF		
ENGR HEP		
DESIGN		

SIZE B	CAGE CODE OVVB8	DOC. NO. 71756	REV A
SCALE 1:2.5	PART NO. N/A	REF. NO. OSP-011-83	SHEET 1 OF 1

8 7 6 5 4 3 2 1