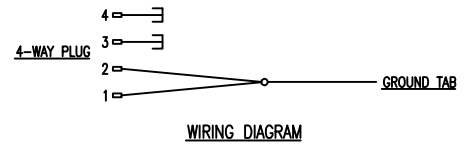
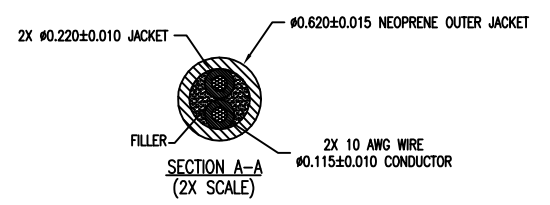
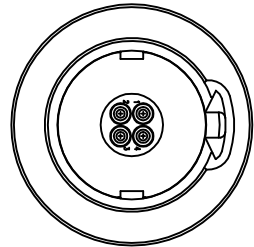
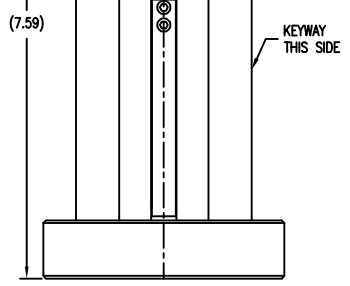
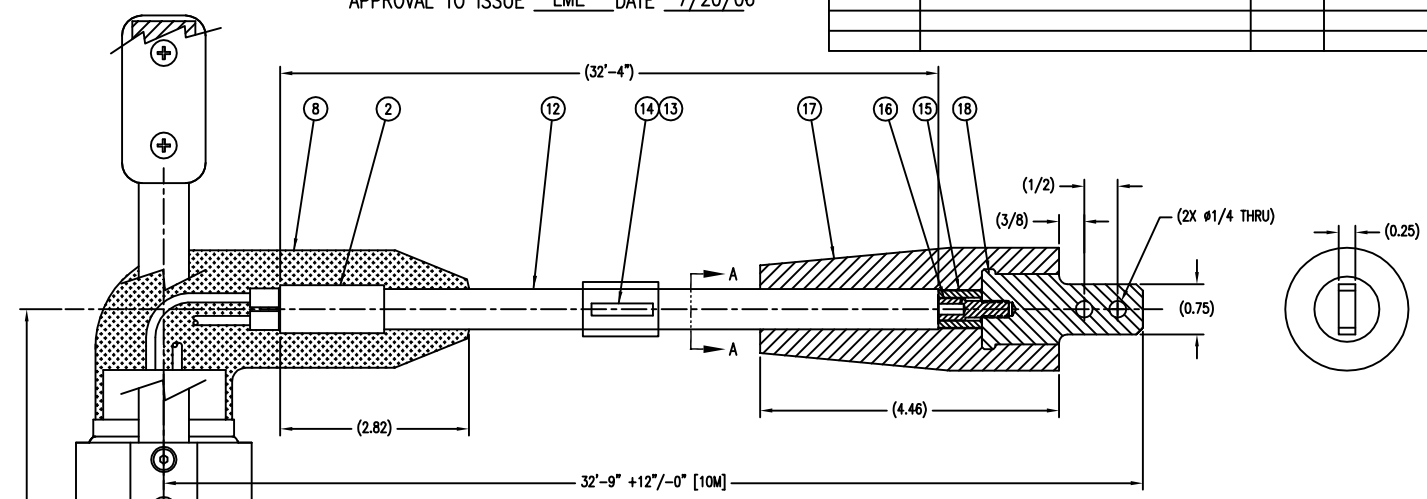
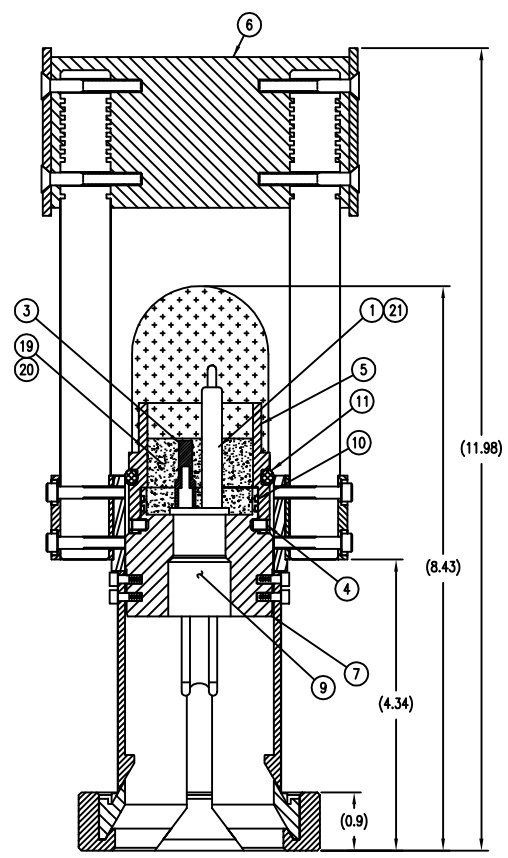


8 | 7 | 6 | 5 | 4 | 3 | 2 | 1

NOTES:
 1. DO NOT SCALE FROM DRAWING.
 2. FOR CONNECTOR OUTLINE/INTERFACE DIMENSIONS SEE D/N 18546 (ROV-025-03).

UNCONTROLLED COPY
 COPY FOR INFORMATION ONLY
 WILL NOT BE KEPT UP TO DATE
 APPROVAL TO ISSUE LME DATE 7/20/06

REVISION	DESCRIPTION	DATE	APPROVED
A	CO 11088 INITIAL ISSUE	4-2-06	HAF
B	CO 12677	7-19-06	HAF



8 | 7 | 6 | 5 | 4 | 3 | 2 | 1

ALL DATA AND INFORMATION CONTAINED OR DISCLOSED BY THIS DOCUMENT IS CONFIDENTIAL AND PROPRIETARY INFORMATION OF OCEAN DESIGN, INC. AND ALL RIGHTS THEREIN ARE EXPRESSLY RESERVED. BY ACCEPTING THIS MATERIAL, THE RECIPIENT AGREES THAT THE MATERIAL AND THE INFORMATION CONTAINED THEREIN IS HELD IN CONFIDENCE AND IN TRUST AND WILL NOT BE USED, COPIED, REPRODUCED IN WHOLE OR IN PART, NOR ITS CONTENTS REVEALED IN ANY MANNER TO OTHERS, EXCEPT TO MEET THE SPECIFIC PURPOSE FOR WHICH IT WAS BELIEVED.

UNLESS OTHERWISE SPECIFIED DIMENSIONS ARE IN INCHES. TOLERANCES AND ANGLES: ± 1/2° FRACTIONS DECIMALS ± 1/64 ± .05 ± .005 ± .003 ± .001 ± .0005

CONCENTRICITY: 0.04 TIR SURFACE FINISH: 63/

BREAK ALL UNBROKEN CORNERS R.05 INTERNAL CORNERS R.02 MAX THIRD ANGLE PROJECTION

ODI advanced technology systems
 OCEAN design, inc.
 www.odi.com

APPROVALS DATE
 DRAWN MWL
 CHECKED MF
 ENGR HAF
 DESIGN

4-WAY ROV CE PLUG TO GROUND TAB
 GA DRAWING W/ PARTS LIST

SIZE B	CAGE CODE OVV88	DOC. NO. 92674	REV B
SCALE FULL	PART NO. 1039636	REF. NO. COS-054-01	SHEET 1 OF 2

NOTES:
1. SEE SHEET 1

21	1013221	PAN-030-04-1	SOLDER POT EXPANDER	BRASS	2
20	1009415	HD3561	EPOXY HARDENER	B.O.F.	A/R
19	1006024	EE4183	CASTING COMPOUND	HYSOL EPOXY	A/R
18	1027560	OPM-174-04	SOLDER POT/ GROUND TAB	TITANIUM, COMM. PURE GR. 2	1
17	1041689	FWL-074-04-30	BOOT SEAL	NITRILE RUBBER	1
16	1029619	OPM-185-04	THREADED SOLDER POT	GOLD PLATED BRASS	1
15	1029620	OPM-184-04	SLEEVE	DELTRIN	1
14	1013374	P-TOUCH 1/2"	LABEL "ODI S/N _____"	B.O.F.	A/R
13	1013503	RNF-100 X 1"	CLEAR HEATSHRINK	B.O.F.	1 X A/R
12	1041708	10/2 SOOW	CABLE	CSM	A/R
11	1000528	2-327-N674-70	PARKER O-RING	NITRILE RUBBER	1
10	1000371	2-030-N674-70	PARKER O-RING	NITRILE RUBBER	2
9	1011171	NAUT/4-4-T	4-WAY PLUG MODULE	VARIOUS	1
8	1025606	OPM-018-04-9	POTTED TERMINATION	POLYURETHANE, AMBER	1
7	1013613	ROV-021-04-4	PLUG SHELL	TITANIUM, COMM. PURE, GR.2	1
6	1013537	ROV-007-01-2-4	SLIDE ASSEMBLY	VARIOUS (TITANIUM)	1
5	1009114	GEB-074-04-1	POTTING SLEEVE	ULTEM 2300	1
4	1001150	8-32 x 1/4" UNC	HEX SOCKET SET SCREW	TITANIUM, COMM. PURE, GR.2	8
3	1012464	ODN-005-04-1	BOOT SEAL CAP	OD1037 RUBBER	2
2	1041691	COS-060-04	BREAKOUT BOOT SEAL	OD1037 RUBBER	1
1	1008194	GBF-065-04-6	BOOT SEAL	OD1037 RUBBER	2
ITEM	PART #	REF. #	DESCRIPTION	MATERIAL	QTY

PARTS LIST

ODI advanced technology systems		OCEAN DESIGN, INC.	
		www.odi.com	
4-WAY ROV CE PLUG TO GROUND TAB GA DRAWING W/ PARTS LIST			
SIZE B	CAGE CODE OVV88	DOC. NO. 92674	REV B
SCALE FULL	PART NO. 1039636	SHEET 2	OF 2
		REF. NO. COS-054-01	