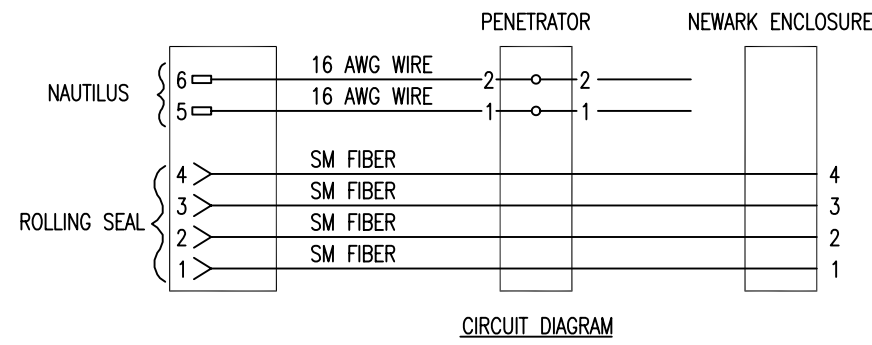
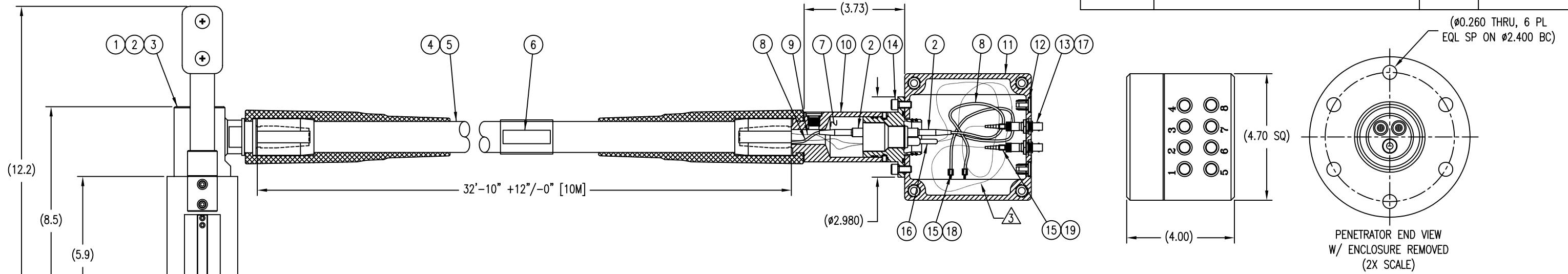
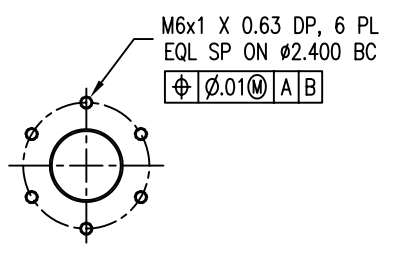
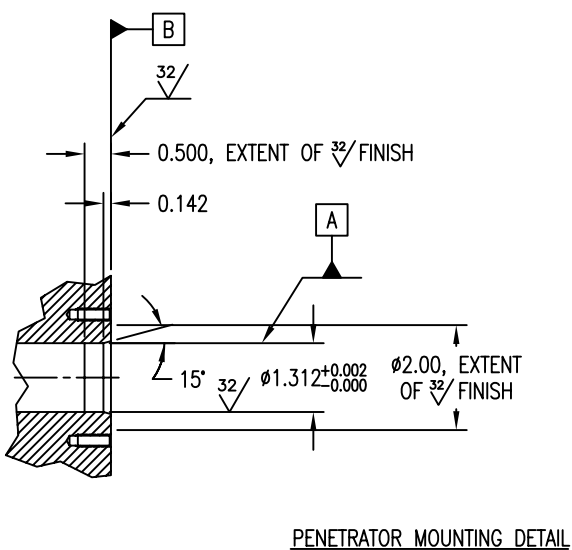
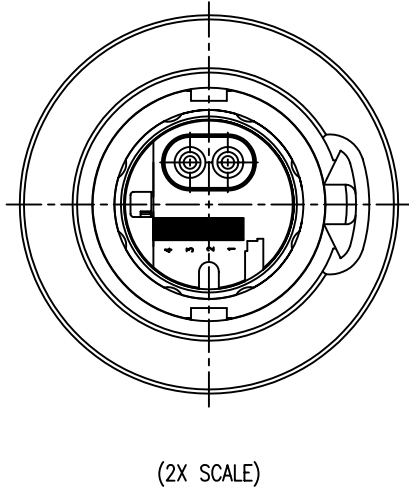


- NOTES:  
 1. DO NOT SCALE FROM DRAWING.  
 2. FOR ITEM 1 OUTLINE/INTERFACE DIMENSIONS SEE DRAWING 42886 (NRH-051-03).  
 3. FIBERS & WIRE PIGTAIL LENGTH TO BE 6'-7" +6"/-0" [2M].

REVISION	DESCRIPTION	DATE	APPROVED
A	CO 10665 INITIAL ISSUE	11-2-05	WDP
B	CO 11275	11-21-05	HEP
C	CO 11531	12-29-05	WDP



ITEM	PART #	REF #	DESCRIPTION	MATERIAL	QTY
19	1013497	RNF-100 X 1/4"	CLEAR HEATSHRINK	B.O.F.	4 X A/R
18	1013495	RNF-100 X 1/8"	CLEAR HEATSHRINK	B.O.F.	2 X A/R
17	1014457	SLP-18212510	SEIKO, ST CONNECTOR	B.O.F.	4
16	1012423	ODN-001-04-1	BOOT SEAL	OD1037 RUBBER	1
15	1000679	44-105	IDENT LABEL ("1" THRU "6")	B.O.F.	6
14	1000115	1/4-20 UNC X 1/2	SOCKET HEAD CAP SCREW	316 STAINLESS STEEL	4
13	1006220	F18102V	ST COUPLER	B.O.F.	4
12	1031560	207-241141-00	CAP HOLE PLUG	B.O.F.	4
11	1040136	FIB-204-04-13	NEWARK ENCLOSURE	ALUMINUM	1
10	1040480	NRH-091-01	HYBRID BULKHEAD PENETRATOR	VARIOUS (TITANIUM)	1
9	1000061	001E41-31131-24	SMF 8.3/125/900, WHITE	B.O.F.	4 X A/R
8	1032375	178-5626	HIGH VOLTAGE 16 AWG WIRE	B.O.F.	4 X A/R
7	1004367	DC200/100CS	SILICONE OIL	B.O.F.	A/R
6	1013374	P-TOUCH-1/2"	LABEL "ODI S/N ____"	B.O.F.	A/R
5	1012416	ODHOSE-12-HBD-2	-12 HYDRAULIC HOSE	B.O.F.	1 X A/R
4	1012533	ODN-109-01-2	TITI, -12 HOSE ASSEMBLY	VARIOUS	1
3	1007333	FIB-078-01	RECEPTACLE OPTICAL STEM ASSEMBLY	VARIOUS	4
2	1040137	ODN-371-01	BOOT SEAL S/A	VARIOUS	6
1	1016681	NRH-045-01-1	HYBRID FLYING RECEPTACLE	VARIOUS (TITANIUM)	1



UNCONTROLLED COPY  
 COPY FOR INFORMATION ONLY  
 WILL NOT BE KEPT UP TO DATE  
 APPROVAL TO ISSUE TFW DATE 12/30/05

ALL DATA AND INFORMATION CONTAINED OR DISCLOSED BY THIS DOCUMENT IS CONFIDENTIAL AND PROPRIETARY INFORMATION OF OCEAN DESIGN, INC. AND ALL RIGHTS THEREIN ARE EXPRESSLY RESERVED. BY ACCEPTING THIS MATERIAL THE RECIPIENT AGREES THAT THE MATERIAL AND THE INFORMATION CONTAINED THEREIN IS HELD IN CONFIDENCE AND IN TRUST AND WILL NOT BE USED, COPIED, REPRODUCED IN WHOLE OR IN PART, NOR ITS CONTENTS REVEALED IN ANY MANNER TO OTHERS, EXCEPT TO MEET THE SPECIFIC PURPOSE FOR WHICH IT WAS DELIVERED.

UNLESS OTHERWISE SPECIFIED DIMENSIONS ARE IN INCHES. TOLERANCES ARE:  
 ANGLES: ± 1/2°  
 FRACTIONS: DECIMALS  
 ± 1/64 ± .X = .05  
 ± .XX = .01  
 ± .XXX = .003  
 SURFACE FINISH: .63  
 CONCENTRICITY: .004 TIR  
 BREAK ALL UNMARKED CORNERS R.005  
 INTERNAL CORNERS R.02 MAX  
 THIRD ANGLE PROJECTION

**ODI** advanced technology systems **OCEAN design, inc.**  
 www.odi.com

NRH FLYING RCPT W/ ELECTRICAL PINS TO BLKHD PNTR GA DRAWING W/ PARTS LIST

APPROVALS	DATE	SIZE	CAGE CODE	DOC. NO.	REV
DRAWN TAS	8-28-05	B	OVV88	92486	C
CHECKED MF	11-1-05	SCALE	PART NO.	1039616	SHEET 1 OF 1
ENGR WDP	11-2-05	HALF	REF. NO.	NRH-081-01	