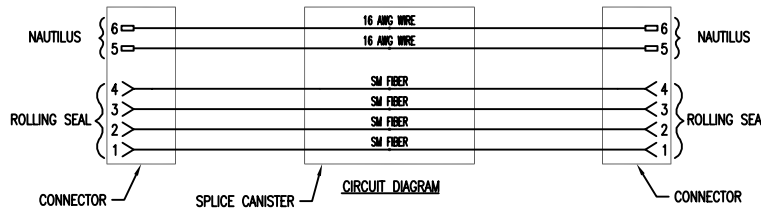


8 | 7 | 6 | 5 | 4 | 3 | 2 | 1

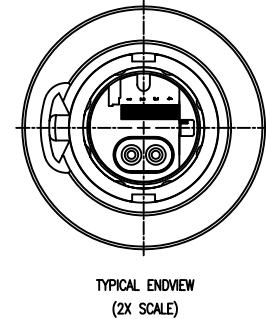
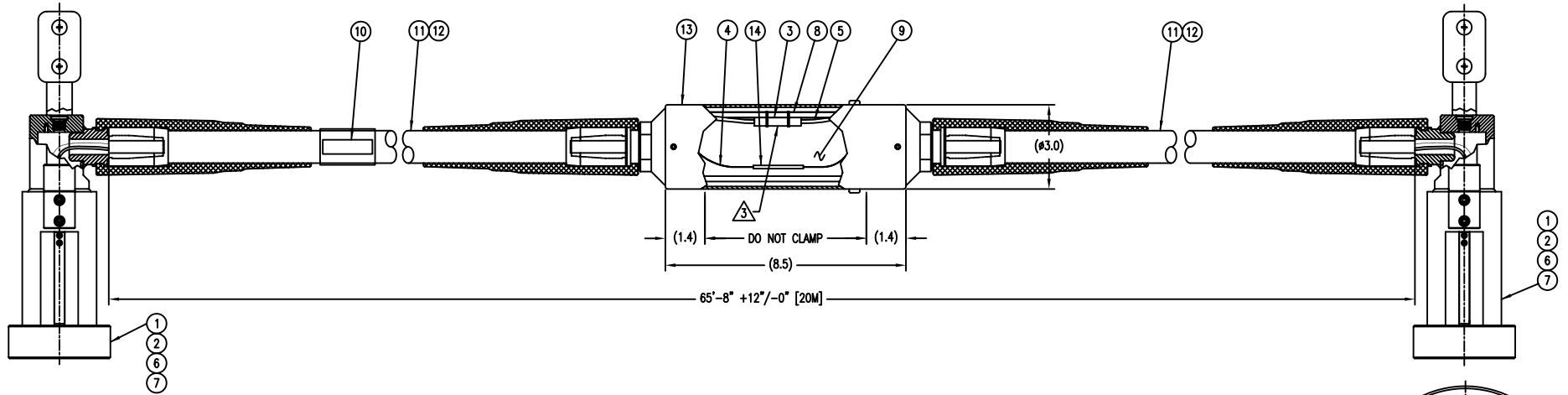
NOTES:

- 1. DO NOT SCALE FROM DRAWING.
- 2. FOR CONNECTOR OUTLINE/INTERFACE DIMENSIONS SEE DRAWING 42886 (NRH-051-03)
- 3. AFFIX WIRE SPLICE TO A STAND OFF ROD.

UNCONTROLLED COPY
 COPY FOR INFORMATION ONLY
 WILL NOT BE KEPT UP TO DATE
 APPROVAL TO ISSUE LME DATE 01/05/06



REVISION	DESCRIPTION	DATE	APPROVED
A	CO 11088 INITIAL ISSUE	1-4-06	HAF



14	1033888	S012696-FPS-01-900-45	SPLICE (OPTICAL) 45MM	B.O.F.	4
13	1032042	FHT-010-01-2	STORAGE/SPLICE CANISTER	VARIOUS (TITANIUM SHELL)	1
12	1012416	ODHOSE-12-HBD-2	-12 HYDRAULIC HOSE	B.O.F.	2 X A/R
11	1012533	ODN-109-01-2	TITI, -12 HOSE ASSEMBLY	VARIOUS	2
10	1013374	P-TOUCH-1/2"	LABEL "ODI S/N _____"	B.O.F.	A/R
9	1004367	DC200/100CS	DOW CORNING SILICONE OIL	B.O.F.	A/R
8	1002835	ATUM-3:1 1/4-0	HEATSHRINK TUBING	B.O.F.	4 X A/R
7	1040137	ODN-371-01	BOOT SEAL S/A	VARIOUS	4
6	1007397	FIB-116-01-1	HYB RCPT ELEC STEM S/A	VARIOUS	4
5	1032375	178-5626	HIGH VOLTAGE 16 AWG WIRE	B.O.F.	4 X A/R
4	1000061	001E41-31131-24	SMF 8.3/125/900, WHITE	B.O.F.	8 X A/R
3	1041304	ODN-375-01-2	SPLICE BOOT SEAL S/A	VARIOUS (OD1037)	2
2	1007333	FIB-078-01	HYB RCPT OPTIC STEM S/A	VARIOUS	8
1	1016681	NRH-045-01-1	HYBRID FLYING RECEPTACLE	VARIOUS (TITANIUM SHELL)	2

ITEM	PART #	REF #	DESCRIPTION	MATERIAL	QTY
PARTS LIST					

ALL DATA AND INFORMATION CONTAINED OR DISCLOSED BY THIS DOCUMENT IS CONFIDENTIAL AND PROPRIETARY INFORMATION OF OCEAN DESIGN, INC. AND ALL RIGHTS THEREIN ARE EXPRESSLY RESERVED. BY ACCEPTING THIS MATERIAL THE RECIPIENT AGREES THAT THE MATERIAL AND THE INFORMATION CONTAINED THEREIN IS HELD IN CONFIDENCE AND IN TRUST AND WILL NOT BE USED, COPIED, REPRODUCED IN WHOLE OR IN PART, NOR ITS CONTENTS REVEALED IN ANY MANNER TO OTHERS, EXCEPT TO MEET THE SPECIFIC PURPOSE FOR WHICH IT WAS BELIEVED.

UNLESS OTHERWISE SPECIFIED DIMENSIONS ARE IN INCHES. TOLERANCES AND ANGLES ± 1/2° FRACTIONS DECIMALS ± 1/64 ± .X = .05 ± .XX = .01 ± .XXX = .003 CONCENTRICITY .004 TIR SURFACE FINISH $\sqrt{32}$ BREAK ALL UNRANDED CORNERS R.05 INTERNAL CORNERS R.02 MAX THIRD ANGLE PROJECTION

ODI advanced technology systems		OCEAN DESIGN, INC. www.odi.com	
APPROVALS	DATE	NRH FLYING RCPT JUMPER	92623
DRAWN: MWL	DATE: <input type="checkbox"/>	GA DRAWING W/ PARTS LIST	REV A
CHECKED: MF	DATE: <input type="checkbox"/>	SCALE: HALF	SHEET 1 OF 1
ENGR: HAF	DATE: <input type="checkbox"/>	CAGE CODE: OVV88	DOC. NO. 1039634
DESIGN: <input type="checkbox"/>	DATE: <input type="checkbox"/>	REF. NO. NRH-084-01	REF. NO. NRH-084-01

8 | 7 | 6 | 5 | 4 | 3 | 2 | 1