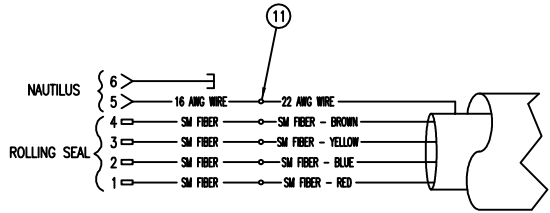
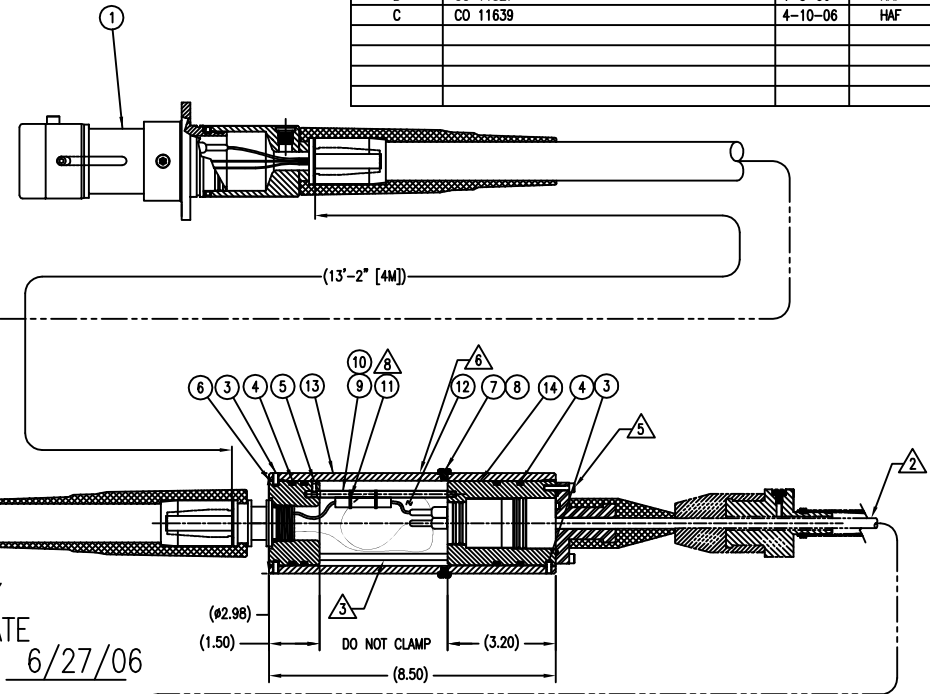
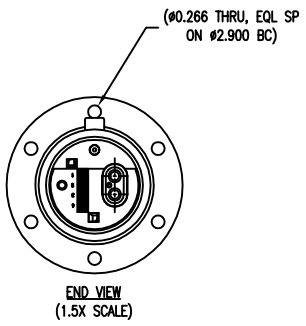


- NOTES:
- DO NOT SCALE FROM DRAWING.
  - MAXIMUM RATED APPLIED AXIAL FORCE, 100 LBS.
  - PROVIDE HIGH STRENGTH RECOATED SPLICES ONLY.
  - FOR ITEM 1, OUTLINE/INTERFACE DIMENSIONS SEE D/N 42886 (NRH-051-03).
  - SHOWN OUT OF POSITION FOR CLARITY.
  - ENGRAVE APPROX WHERE SHOWN PER D/N 10632 (SOP-015-39).
  - CUSTOMER SUPPLIED FIBER MANAGEMENT CONTAINER TO BE RETURNED TO CUSTOMER WITH COMPLETED ASSEMBLY.
  - AFFIX WIRE SPLICE TO A STAND OFF ROD.
  - UTILIZE TEST FIXTURE P/N 1036255 (FIX-859-01) FOR HYDROSTATIC TESTING.
  - REMOVE PROTECTIVE TUBING FIXTURE P/N 1040699 (FIX-1033-01) PRIOR TO SHIPPING COMPLETED ASSEMBLY. HANDLE FIXTURE IN ACCORDANCE WITH D/N 101549 (FIX-859/1033-11). ENSURE UNPROTECTED PIGTAIL REMAINS UNCONTAMINATED UNTIL SHIPMENT.

REVISION	DESCRIPTION	DATE	APPROVED
A	CO 10685 INITIAL ISSUE	10-28-05	WDP
B	CO 11527	1-3-06	HAF
C	CO 11639	4-10-06	HAF



UNCONTROLLED COPY  
COPY FOR INFORMATION ONLY  
WILL NOT BE KEPT UP TO DATE  
APPROVAL TO ISSUE LME DATE 6/27/06

14	1038222	NRH-090-01	TYCO PIGTAIL CABLE TERMINATION S/A	VARIOUS	1
13	1038220	NRH-088-04	FITA SHELL	TITANIUM CP. GR. 2	1
12	1004367	DC200/100CS	DOW CORNING OIL	SILICONE OIL	A/R
11	1041302	ODN-375-01-1	SPLICE BOOT SEAL S/A	VARIOUS (OD1037)	1
10	1002835	ATUM-3:1 1/4-0	HEATSHRINK TUBING	B.O.F.	3 X A/R
9	1038219	DMO-443-04-3	STAND OFF ROD	TITANIUM CP. GR. 2	3
8	1000922	5-124-N674-70	PARKER O-RING	NITRILE RUBBER	2
7	1014458	SLSCREW-01	FILL PORT SEAL SCREW	TITANIUM CP. GR. 2	2
6	1038218	NRH-087-04	FITA END CAP	TITANIUM CP. GR. 2	1
5	1001038	6-32 UNC X 1/4"	SOCKET HEAD SET SCREW	TITANIUM CP. GR. 2	3
4	1000497	2-228-N674-70	PARKER O-RING	NITRILE RUBBER	4
3	1001152	8-32 UNC X 3/8"	SOCKET HEAD SET SCREW	TITANIUM CP. GR. 2	12
2	DELETED				
1	1038217	NRH-086-01	NRH HYBRID FXD PLUG JUMPER	VARIOUS (TITANIUM)	1
ITEM	PART #	REF. #	DESCRIPTION	MATERIAL	QTY
PARTS LIST					

ALL DATA AND INFORMATION CONTAINED OR DISCLOSED BY THIS DOCUMENT IS CONFIDENTIAL AND PROPRIETARY INFORMATION OF OCEAN DESIGN, INC. AND ALL RIGHTS THEREIN ARE EXPRESSLY RESERVED. BY ACCEPTING THIS MATERIAL THE RECIPIENT AGREES THAT THE MATERIAL AND THE INFORMATION CONTAINED THEREIN IS HELD IN CONFIDENCE AND IN TRUST AND WILL NOT BE USED, COPIED, REPRODUCED IN WHOLE OR IN PART, NOR ITS CONTENTS REVEALED IN ANY MANNER TO OTHERS, EXCEPT TO MEET THE SPECIFIC PURPOSE FOR WHICH IT WAS DELIVERED.

UNLESS OTHERWISE SPECIFIED DIMENSIONS ARE IN INCHES. TOLERANCES ARE: ANGLES ± 1/2° FRACTIONS DECIMALS ± 1/64 ± .X = .05 ± .XX = .01 ± .XXX = .003 CONCENTRICITY .004 TIR SURFACE FINISH  BREAK ALL UNRANDED CORNERS & ROUNDS INTERNAL CORNERS R.02 MAX THIRD ANGLE PROJECTION

**ODI** advanced technology systems **OCEAN design, inc.**  
www.odi.com

NRH BLKHD PLUG W/ ELECTRICAL SOCKETS TO FITA GA DRAWING WITH PARTS LIST

APPROVALS	DATE	REV
DRAWN TAS		1
CHECKED MF		2
ENGR WDP		3
DESIGN		

SIZE B	CAGE CODE OVV88	DOC. NDL	92716	REV C
SCALE HALF	PART NDL 1039633	REF. NDL NRH-082-01	SHEET 1	OF 1