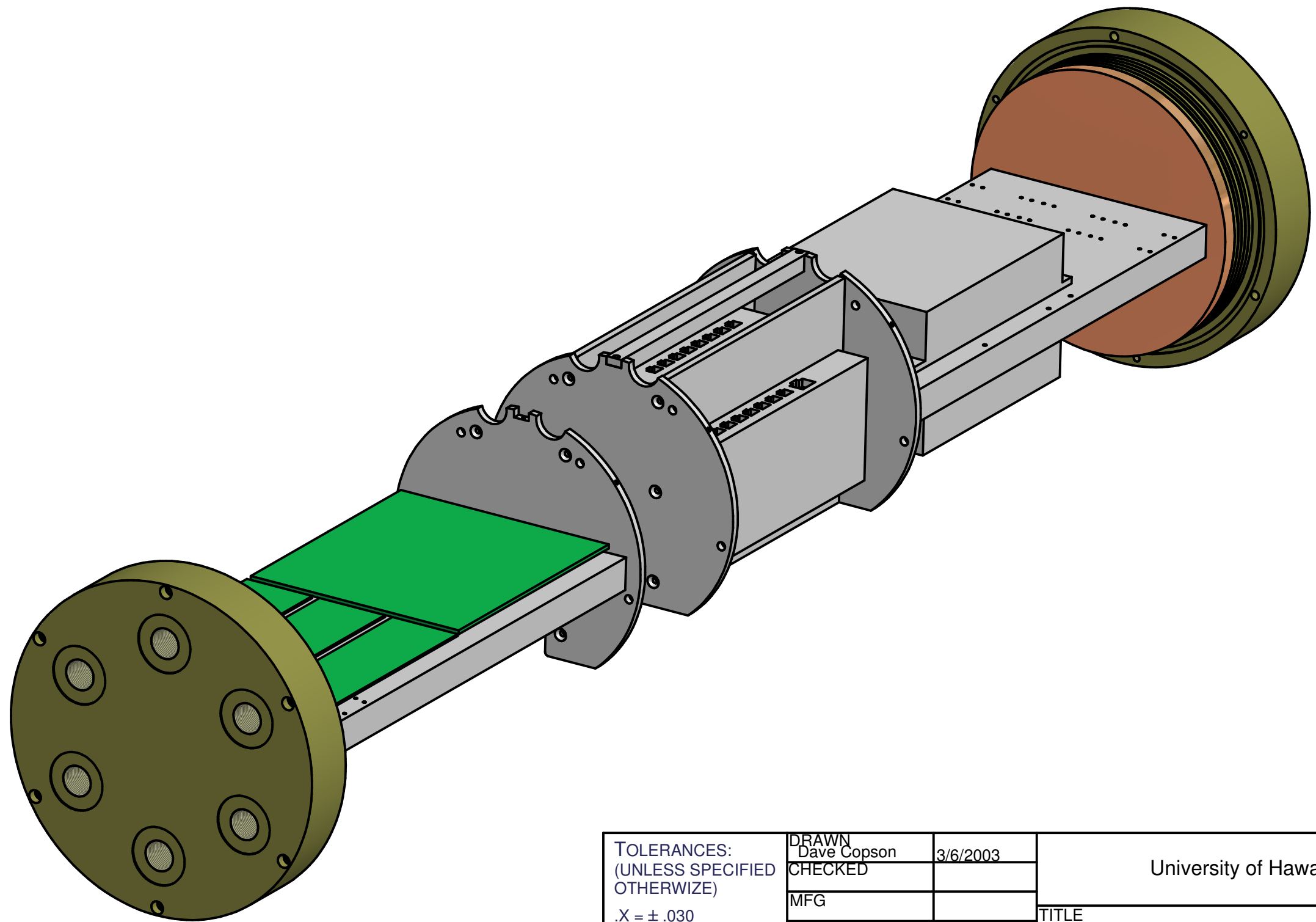


TOLERANCES:
 (UNLESS SPECIFIED
 OTHERWISE)
 .X = ± .030
 .XX = ± .010
 .XXX = ± .005
 A/B = ± .0625
 X' = ± 1'

DRAWN	Dave Copson	3/6/2003
CHECKED		
MFG		
APPROVED	DC	

University of Hawaii-SOEST		
TITLE		
ALOHA STATION OBSERVATORY PCASE		
SIZE	DWG NO	REV
B	obsmain	0
SCALE		SHEET 1 OF 2



TOLERANCES: (UNLESS SPECIFIED OTHERWISE) .X = ± .030 .XX = ± .010 .XXX = ± .005 A/B = ± .0625 X' = ± 1'	DRAWN Dave Copson	3/6/2003	University of Hawaii-SOEST		
	CHECKED		TITLE		
	MFG		ALOHA STATION OBSERVATORY PCASE		
	APPROVED DC		SIZE B	DWG NO obsmain	REV 0
			SCALE		SHEET 2 OF 2