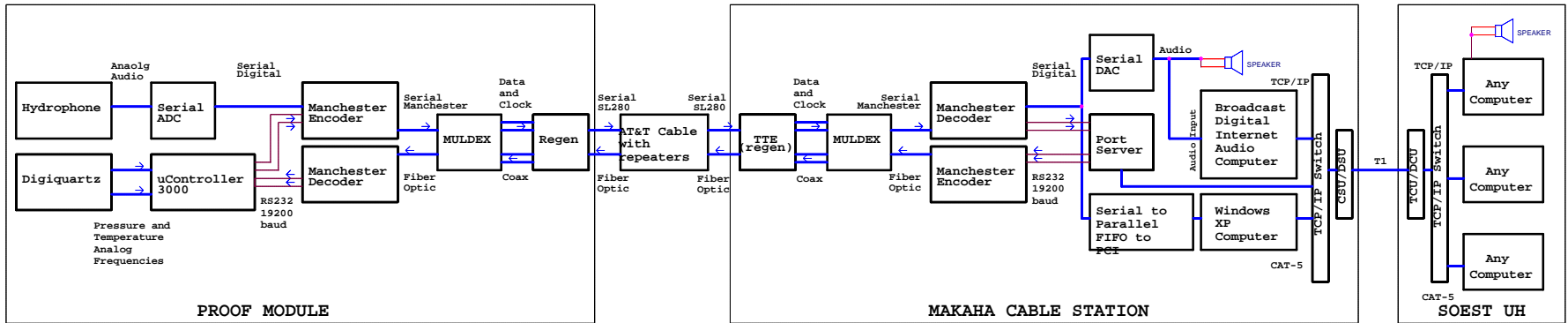
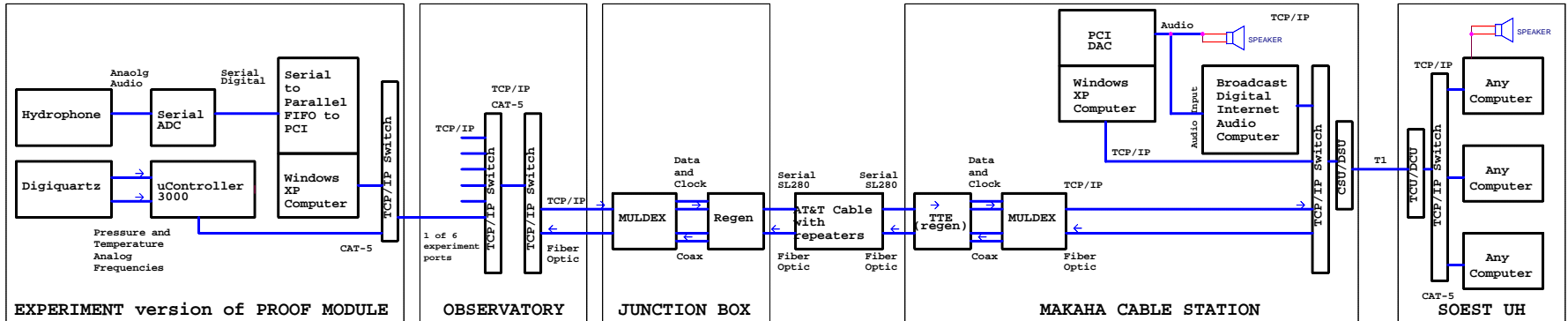


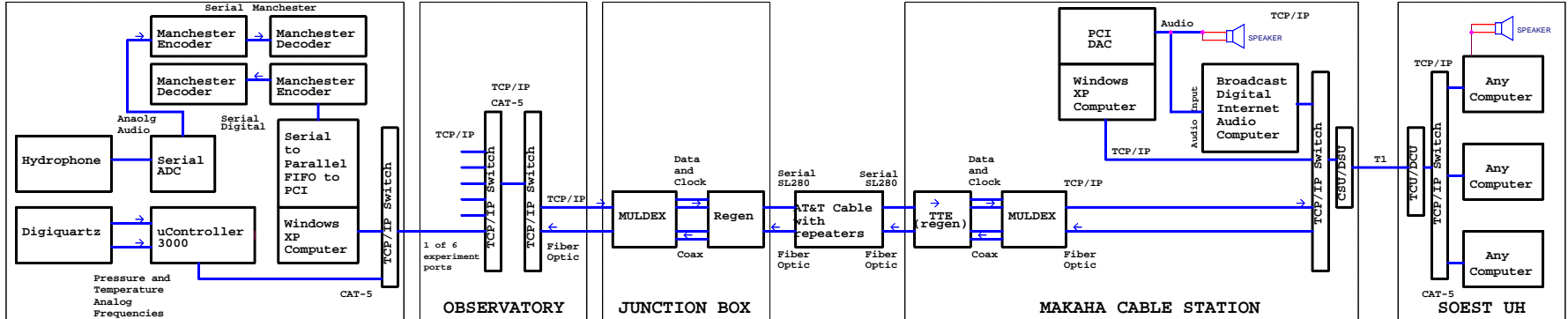
### PROOF MODULE COMMUNICATIONS DATA FLOW



### OBSERVATORY/JUNCTION BOX COMMUNICATIONS DATA FLOW



### BENCH TEST PSEUDO OBSERVATORY/JUNCTION BOX COMMUNICATIONS DATA FLOW



EXPER TEST version of PROOF MODULE  
 Above is a bench test SETUP that has been briefly and successfully tested for TCP/IP functionality; noting: The Manchester encoder/decoder are not needed. But requires a serial to parallel FIFO to PCI interface with out the Manchester integrated with it. In other wards the actual system is simpler then the one tested.

Description: Data Communication Flow

DATE	COMMENT
11/1/06	PDF FILE

UNIVERSITY OF HAWAII  
 Aloha Observatory  
 Engineering Support Facility  
 2525 Correa Road  
 Honolulu, HI 96822

**Observatory Communication Flow**

Prepared by: J Jolly  
 Date: Wednesday, October 18, 2006